



|   |            |
|---|------------|
| <b>Spreader Beams</b> .....                     | <b>468</b> |
| Telescopic Spreader Beams .....                 | 468        |
| Modular Spreader Beams .....                    | 469        |
| Spreader Bar End Caps .....                     | 470        |
| <b>Plate Clamps &amp; Grabs</b> .....           | <b>471</b> |
| Plate Lifting Clamps .....                      | 471        |
| Turn Plate Clamps .....                         | 472        |
| Horizontal Plate Clamps .....                   | 473        |
| Hardened Steel Plate Clamps .....               | 474        |
| Non-Marring Plate Clamps .....                  | 475        |
| Magnetic Lifters .....                          | 476        |
| Case Grabs .....                                | 477        |
| Specialty Clamps & Grabs .....                  | 478        |
| <b>Piling Release Shackles</b> .....            | <b>482</b> |
| Ground Release Shackles .....                   | 482        |
| Remote Ratchet Release Shackles .....           | 483        |
| <b>Drum Lifting Equipment</b> .....             | <b>484</b> |
| Drum Slings .....                               | 484        |
| Drum Clamps & Lifters .....                     | 485        |
| Drum Grabs .....                                | 486        |
| <b>Container Lifting Equipment</b> .....        | <b>487</b> |
| Camlok Lifting Lugs .....                       | 487        |
| Safe Use of Camlok Container Lifting Lugs ..... | 489        |
| Container Lifting Hooks .....                   | 490        |
| Container Lifters .....                         | 491        |
| Container Lifting Slings .....                  | 493        |
| <b>Work Boxes &amp; Cages</b> .....             | <b>494</b> |
| Work Boxes .....                                | 494        |
| Goods Cages .....                               | 496        |
| <b>Pallet Lifting Equipment</b> .....           | <b>497</b> |
| Pallet Lifting Bars .....                       | 497        |
| <b>Bulk Bag Lifting Equipment</b> .....         | <b>498</b> |
| Bulk Bag Lifting Frame .....                    | 498        |
| <b>Load Skates &amp; Rollers</b> .....          | <b>499</b> |
| Load Skates & Rollers .....                     | 499        |
| <b>Trolleys &amp; Trucks</b> .....              | <b>501</b> |
| Lift Trolleys .....                             | 501        |
| Hand Pallet Truck .....                         | 503        |
| <b>Spring Balancers</b> .....                   | <b>504</b> |
| Spring Balancers & Retractors .....             | 504        |

# SPREADER BEAMS

## TELESCOPIC SPREADER BEAMS

Maxirig Telescopic Spreader Beams

**Maxirig**

| Product Code | Maxirig Item No. | Span<br>m   | Working Load Limit (kg) |        |        | Centre Lift * | Net Weight<br>kg |
|--------------|------------------|-------------|-------------------------|--------|--------|---------------|------------------|
|              |                  |             | 60°                     | 90°    | 120°   |               |                  |
| 10971992     | TSB1015          | 1.8 – 3.0   | 1,500                   | 1,500  | n.a.   | No            | 25               |
| 10971999     | TSB1033          | 1.8 – 3.0   | 3,000                   | 3,000  | 2,000  | No            | 40               |
| 10972004     | TSB1063          | 2.0 – 3.0   | 6,000                   | 3,500  | 2,000  | No            | 50               |
| 10972005     | TSB1065          | 3.0 – 5.0   | 6,000                   | 6,000  | 4,500  | No            | 105              |
| 10972014     | TSB1103          | 2.3 – 3.5   | 10,000                  | 10,000 | 7,500  | Yes           | 100              |
| 10972018     | TSB1106          | 4.0 – 6.0   | 10,000                  | 10,000 | 6,000  | No            | 160              |
| 10972020**   | TSB2154          | 2.25 – 3.69 | 15,000                  | n.a.   | n.a.   | Yes           | 95               |
| 10972022     | TSB1204          | 2.65 – 4.0  | 20,000                  | 16,000 | 9,000  | Yes           | 150              |
| 10972024     | TSB1206          | 4.0 – 6.0   | 20,000                  | 14,000 | 8,000  | Yes           | 215              |
| 10972028     | TSB1304          | 2.8 – 4.0   | 30,000                  | 22,000 | 12,500 | Yes           | 200              |
| 10972032     | TSB1306          | 4.0 – 6.0   | 30,000                  | 22,000 | 12,500 | Yes           | 260              |
| 10972040     | TSB1504          | 2.8 – 4.0   | 50,000                  | 30,000 | 18,000 | Yes           | 260              |
| 10972044     | TSB1506          | 4.0 – 6.0   | 50,000                  | 30,000 | 18,000 | Yes           | 360              |
| 10972048     | TSB1806          | 4.0 – 6.0   | 80,000                  | 70,000 | 40,000 | Yes           | 605              |

\* Centre Lift: For details on the WLL of centre lift models or additional product information, please refer to your nearest Cookes branch for data sheets or email customerservices@bridoncookes.co.nz

\*\* FRANNA Model.

13

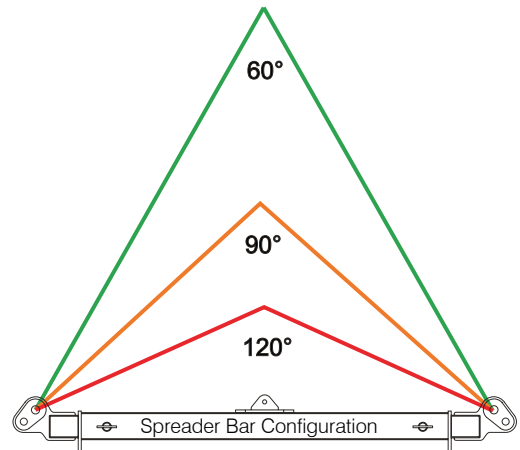
MATERIALS HANDLING  
EQUIPMENT



Complies with Standard AS4991. High quality telescopic spreader beams supplied with certificate of conformance along with proof load and MPI weld inspection certificates.

- Lugs designed to suit Alloy Safety Bow Shackles.
- Includes 12 months' manufacturer's guarantee.
- Manufactured in Australia.

Custom manufactured in Australia and imported by Cookes. Variations and special designs available.



• Never exceed manufacturer's Working Load Limit (WLL).

# SPREADER BEAMS

## MODULAR SPREADER BEAMS

Maxirig Modular Telescopic Spreader Beams

**Maxirig**

| Product Code | Maxirig Item No. | Span       | Maximum WLL * | Fully Assembled Weight |
|--------------|------------------|------------|---------------|------------------------|
|              |                  | m          | kg            | kg                     |
| 10972056     | MAXIBAR 4        | 0.5 – 1.5  | 4,000         | 33                     |
| 10972060     | MAXIBAR 8        | 0.5 – 2.5  | 8,000         | 55                     |
| 10972066     | MAXIBAR 15       | 1.0 – 4.0  | 17,000        | 125                    |
| 10972070     | MAXIBAR 30       | 1.5 – 6.0  | 34,000        | 291                    |
| 10972076     | MAXIBAR 40       | 1.5 – 8.0  | 43,000        | 468                    |
| 10972080     | MAXIBAR 60       | 1.5 – 11.0 | 60,000        | 941                    |
| 10972086     | MAXIBAR 80       | 2.0 – 12.0 | 85,000        | 1,220                  |
| 10972090     | MAXIBAR 100      | 2.0 – 12.0 | 110,000       | 1,895                  |
| 10972096     | MAXIBAR 120      | 2.0 – 16.0 | 130,000       | 2,915                  |
| 10972098     | MAXIBAR 145      | 2.0 – 20.0 | 145,000       | 3,900                  |

\* WLL shown is the maximum for each model but varies based on span length and lift angles. Please refer to your nearest Cookes branch for a comprehensive data sheet on required model or email [customerservices@bridoncookes.co.nz](mailto:customerservices@bridoncookes.co.nz)



Complies with Standard AS4991. The Maxirig Modular Spreader Bars are designed for heavy lifting applications including major construction projects. High quality modular spreader bars are supplied with certificate of conformance along with proof load and MPI weld inspection certificates.

- Lugs designed to suit Alloy Safety Bow Shackles
- Includes 12 months' manufacturer's guarantee.
- Manufactured in Australia.



• Custom manufactured in Australia and imported by Cookes. Variations and special designs available.



- Never exceed manufacturer's Working Load Limit (WLL).
- Important: Prior to conducting any operations with Modular Spreader Beams, a lift study must be undertaken noting the capacity and tare weights of the device in its various configurations.

# SPREADER BEAMS

## SPREADER BAR END CAPS

Maxirig Spreader Bar End Caps

**Maxirig**

| Product Code | Maxirig Item No. | Working Load Limit (kg) |         | Max. Pipe Length<br>m | Lug Length*<br>mm | Net Weight Each<br>kg |
|--------------|------------------|-------------------------|---------|-----------------------|-------------------|-----------------------|
|              |                  | 60°                     | 90°     |                       |                   |                       |
| 10972100     | MAXILUG 25       | 25,000                  | 20,000  | 12                    | 350               | 65                    |
| 10972101     | MAXILUG 50       | 50,000                  | 30,000  | 12                    | 400               | 110                   |
| 10972103     | MAXILUG 80       | 80,000                  | 35,000  | 12                    | 500               | 175                   |
| 10972104     | MAXILUG 145      | 145,000                 | 80,000  | 12                    | 500               | 210                   |
| 10972106     | MAXILUG 250      | 250,000                 | 160,000 | 12                    | 750               | 600                   |
| 10972108     | MAXILUG 400      | 400,000                 | 230,000 | 12                    | 750               | 800                   |

\* Lug length measured to centre of lifting point.

Contact your nearest Cookes branch for a comprehensive data sheet on your required model or email [customerservices@bridoncookes.co.nz](mailto:customerservices@bridoncookes.co.nz). Specifications include maximum span length and pipe requirements for each model.



13

MATERIALS HANDLING  
EQUIPMENT

Complies with Standard AS4991. The Maxirig Spreader Bar End Caps allow users to create their own custom-length spreader bars using these heavy duty end units.

- High Quality Spreader Bar End Caps supplied with certificate of conformance along with proof load and MPI weld certificates.
- Designed to suit readily available line pipe.
- Lugs designed to suit Alloy Safety Anchor Shackles
- Includes 12 months' manufacturer's guarantee.
- Manufactured in Australia.



• Custom manufactured in Australia and imported by Cookes. Variations and special designs available.



• Never exceed manufacturer's Working Load Limit (WLL).

# PLATE CLAMPS & GRABS

## PLATE LIFTING CLAMPS

### Cookes Vertical Plate Lifting Clamps



| Product Code | Working Load Limit | Jaw Opening | Net Weight |
|--------------|--------------------|-------------|------------|
|              | t                  | mm          | kg         |
| 02836080     | 0.8                | 0 – 15      | 2          |



Designed for lifting and transfer of small profiles up to 800kg in the vertical position.

- Manufactured from high quality carbon steel.
- Articulated lifting eye.
- Fitted with locking device for safe use in both open and closed positions.
- Manufactured in China.

### Cookes Universal Plate Lifting Clamps



| Product Code | Working Load Limit | Jaw Opening | Net Weight |
|--------------|--------------------|-------------|------------|
|              | t                  | mm          | kg         |
| 02836110     | 1.0                | 0 – 20      | 5          |
| 02836120     | 2.0                | 0 – 25      | 8          |
| 02836132     | 3.2                | 0 – 30      | 15         |
| 02836150     | 5.0                | 0 – 50      | 23         |



Designed for lifting, turning and transporting of steel plates and structures from all positions.

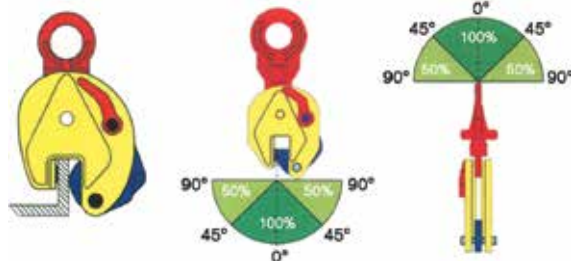
- Available in Working Load Limits from 1.0 tonne to 5.0 tonne.
- Manufactured from high quality carbon steel.
- Fitted with locking device for safe use in both open and closed positions.
- Articulated lifting eye.
- Manufactured in China.

### Special Model with Hardened Jaws

| Product Code | Working Load Limit | Jaw Opening |
|--------------|--------------------|-------------|
|              | t                  | mm          |
| 02836110RH   | 1.0                | 0 – 20      |
| 02836120RH   | 2.0                | 0 – 25      |
| 02836132RH   | 3.2                | 0 – 30      |

Cookes Universal Plate Lifting Clamps fitted with New Zealand manufactured hardened jaws

Vertical Lifting Clamps and Universal Plate Clamps



Universal Plate Clamps



• The minimum load to be lifted with these plate clamps is 10% of the WLL.



- Never exceed manufacturer's Working Load Limit
- Never lift or transfer a load over people.
- Avoid shock loading.

# PLATE CLAMPS & GRABS

## TURN PLATE CLAMPS

### Cookes Turn Plate Clamps

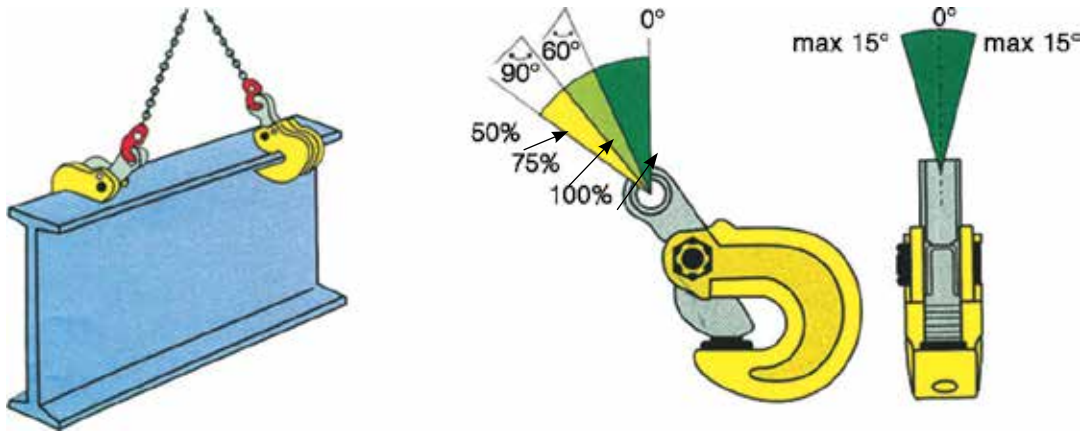
**COOKES**  
a BRIDON · BEKAERT Ropes Group Brand

| Product Code | Working Load Limit | Jaw Opening | Net Weight |
|--------------|--------------------|-------------|------------|
|              | t                  | mm          | kg         |
| 02836230     | 3.0                | 0 – 30      | 8          |



Designed for lifting and turning of steel plates and profile steel up to 3,000kg.

- Manufactured from die-forged tempered special alloy steel for maximum strength and durability.
- Compact, lightweight and easy to use.
- Manufactured in China.



13

MATERIALS HANDLING  
EQUIPMENT



• The minimum load to be lifted with these plate clamps is 10% of the WLL.



- Never exceed manufacturer's Working Load Limit
- Never lift or transfer a load over people.
- Avoid shock loading.



# PLATE CLAMPS & GRABS

## HORIZONTAL PLATE CLAMPS

### Cookes Horizontal Plate Clamps

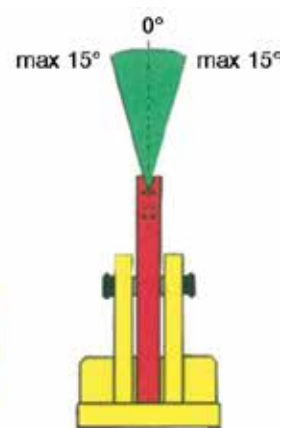
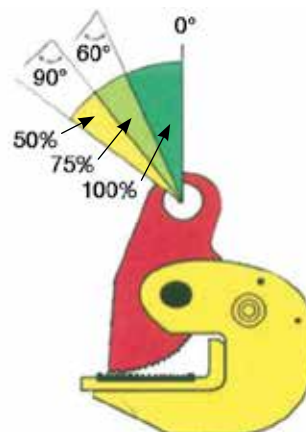
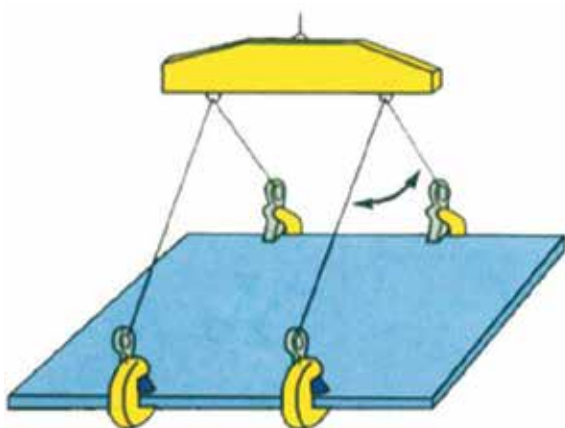


| Product Code | Working Load Limit | Jaw Opening | Net Weight    |
|--------------|--------------------|-------------|---------------|
| per Pair     | t (per Pair)       | mm          | kg (per Pair) |
| 02836310     | 1.0                | 0 – 30      | 7             |
| 02836320     | 2.0                | 0 – 40      | 10            |
| 02836332     | 3.2                | 0 – 45      | 12            |
| 02836350     | 5.0                | 0 – 55      | 15            |



Designed for lifting in pairs or multiple pairs, steel plate, construction and profiled bar in the horizontal position.

- Fitted with safety button.
- Available in Working Load Limits from 1.0 tonne to 5.0 tonne.
- Manufactured from high quality carbon steel.
- Manufactured in China.



- Never exceed the Working Load Limit (WLL).
- Never lift or transfer a load over people.
- Avoid shock loading.



- Always use horizontal clamps in pairs or multiples of pairs.



# PLATE CLAMPS & GRABS

## HARDENED STEEL PLATE CLAMPS

### Crosby Vertical Plate Clamps – IP10H ‘Hardox’



| Product Code | Crosby Item No. | Working Load Limit* | Jaw Opening | Net Weight |
|--------------|-----------------|---------------------|-------------|------------|
|              |                 | t                   | mm          | kg         |
| 02820325     | 0.5 IP10H       | 0.5                 | 0 – 16      | 1.8        |
| 02820330     | 1 IP10H         | 1.0                 | 0 – 35      | 6.8        |
| 02820340     | 2 IP10H         | 2.0                 | 0 – 40      | 13.8       |
| 02820350     | 3 IP10H         | 3.0                 | 0 – 40      | 16.0       |



\* Minimum WLL of 10% of Maximum WLL.

**For Hard Surface Materials.** IP10H vertical lifting clamps with fixed hoisting eye are suitable for the lifting, turning (180°) and vertical transfer of steel plates and sections with extra hard surface hardness. For use on materials with a surface hardness to 47Rc (450 HB). Fitted with a pivot and a camsegment made of extra hard wear-resistant material.

- Welded alloy steel body for strength and smaller size. Forged alloy components where required.
- Individually Proof Tested to 2 times the Working Load Limit with certification.
- Full 180° turning range for material transfer, turning or moving.
- Lock open, lock closed ability with latch for pretension on material and then release of material.
- Manufactured by a ISO 9001 facility. All sizes are RFID equipped.
- Manufactured in The Netherlands.

### IP10H – Dimensions

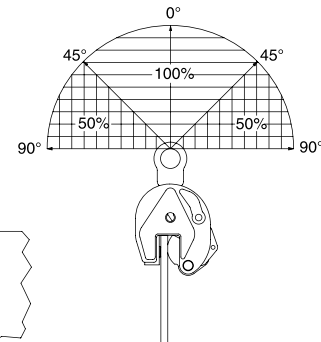
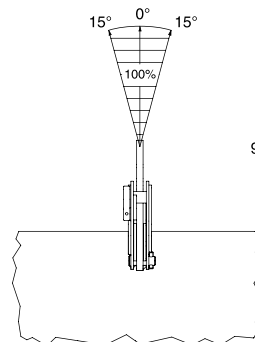
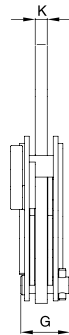
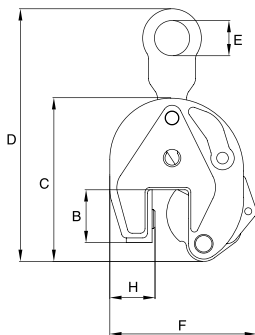
| Model        | 0.5 IP10H | 1 IP10H  | 2 IP10H  |
|--------------|-----------|----------|----------|
| Product Code | 02820325  | 02820330 | 02820340 |
| B (mm)       | 44        | 78       | 100      |
| C (mm)       | 128       | 201      | 253      |
| D (mm)       | 207       | 336      | 436      |
| E (mm)       | 30        | 70       | 75       |
| F (mm)       | 115       | 190      | 225      |
| G (mm)       | 41        | 61       | 78       |
| H (mm)       | 28        | 55       | 60       |
| K (mm)       | 10        | 10       | 16       |



CrosbyIP clamps are of the highest quality. Ergonomically designed to be user friendly (smaller, lighter, more compact), while not sacrificing strength and durability.

### IP10H – Maintenance Kits

| Product Code | To Suite Crosby IP Model |
|--------------|--------------------------|
| 02820401MK   | 0.5 IP10H                |
| 02820305MK   | 1 IP10H                  |
| 02820306MK   | 2 IP10H / 3 IP10H        |



• Larger sizes available on indent. Please contact your nearest Cookes branch for further information.



- Never exceed the Working Load Limit (WLL).
- Never lift or transfer a load over people.
- Avoid shock loading.

# PLATE CLAMPS & GRABS

## NON-MARRING PLATE CLAMPS

### Crosby Non-Marring Plate Clamps – IPNM10P



| Product Code | Crosby Item No. | Working Load Limit | Jaw Opening | Net Weight |
|--------------|-----------------|--------------------|-------------|------------|
|              |                 | t                  | mm          | kg         |
| 02820425     | 0.5 IPNM10P     | 0.5                | 0 – 10      | 2.8        |
| 02820430     | 1 IPNM10P       | 1.0                | 0 – 20      | 4.5        |

The IPNM10P vertical lifting clamp is used for the lifting, turning, moving or vertical transfer of sheet, plates, or fabrications from horizontal to vertical and down to horizontal (180°) as needed without marring the surface of the material. Materials such as aluminium, stainless steel, painted materials, aircraft skins, composite material, plastic, etc., can be lifted without marring. The protective cover reduces the risk of damage to surrounding materials.

- Welded alloy steel body for strength and smaller size. Forged alloy components where required.
- Individually Proof Tested to 2 times the Working Load Limit with certification.
- Full 180° turning range for material transfer, turning or moving.
- Lock open, lock closed ability with latch for pretension on material and then release of material.
- Manufactured by an ISO 9001 facility. All sizes are RFID equipped.
- Manufactured in The Netherlands.

### IPNM10P – Dimensions

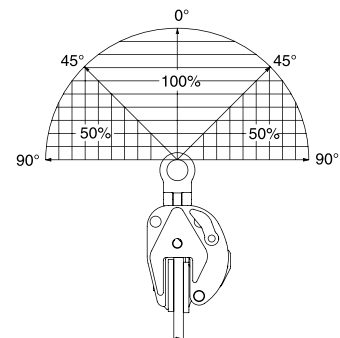
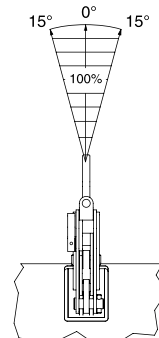
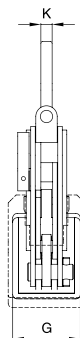
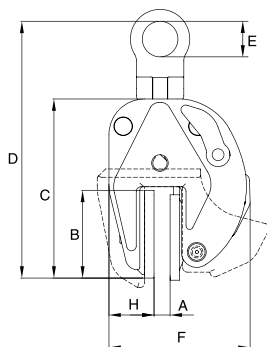
| Model        | 0.5 IPNM10P | 1 IPNM10P |
|--------------|-------------|-----------|
| Product Code | 02820425    | 02820430  |
| B (mm)       | 82          | 97        |
| C (mm)       | 157         | 195       |
| D (mm)       | 213         | 268       |
| E (mm)       | 40          | 30        |
| F (mm)       | 145         | 205       |
| G (mm)       | 68          | 82        |
| H (mm)       | 48          | 60        |
| K (mm)       | 11          | 10        |



CrosbyIP clamps are of the highest quality. Ergonomically designed to be user friendly (smaller, lighter, more compact), while not sacrificing strength and durability.

### IPNM10P – Maintenance Kits

| Product Code | To Suite Crosby IP Model |
|--------------|--------------------------|
| 02820425MK   | 0.5 IPNM10P              |
| 02820430MK   | 1 IPNM10P                |



? • Other models of CrosbyIP Non-Marring Clamps available on indent – contact your nearest Cookes branch.



- Never exceed the Working Load Limit (WLL).
- Never lift or transfer a load over people.
- Avoid shock loading.

# PLATE CLAMPS & GRABS

## MAGNETIC LIFTERS

Pacific Permanent Magnetic Lifters – PML Series



| Product Code | Pacific Item No. | Rated Capacity | Cylindrical Carrying Capacity | Maximum Break-Away Force | Suitable Plate Thickness | Net Weight |
|--------------|------------------|----------------|-------------------------------|--------------------------|--------------------------|------------|
|              |                  | kg             | kg                            | kg                       | mm                       | kg         |
| 02814010     | PML-1            | 100            | 50                            | 350                      | > 25                     | 3          |
| 02814030     | PML-3            | 300            | 150                           | 1,050                    | > 35                     | 10         |
| 02814061     | PML-6            | 600            | 300                           | 2,100                    | > 40                     | 24         |
| 02815100     | PML-10           | 1,000          | 500                           | 3,500                    | > 50                     | 50         |
| 02815200*    | PML-20           | 2,000          | 1,000                         | 7,000                    | > 60                     | 125        |

\* Available on indent.

Pacific Magnetic Lifters can be used in various industries for the lifting and moving of steel, engine parts, semi-manufactured goods and moulds. Due to its magnetic force, there is no need to use slings, clamps or other holding devices. This will eliminate the chance of damaging the lifted materials.

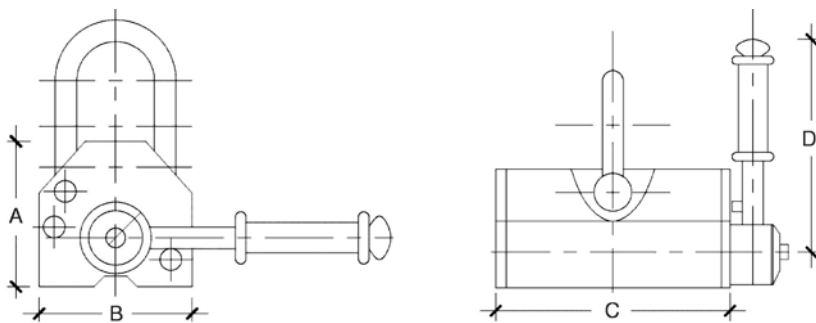


### Standard features include:

- The magnetic lifter features a breakaway force 3.5 times greater than the WLL.
- Weight capacities are available from 100kg to 6,000kg.
- No electricity needed which will increase product safety. Once operated there is less than 1% residual magnetism.
- Simple switch and safety button design allows for one handed operation.

### PML Series – Dimensions

| Capacity (kg) | 100      | 300      | 600      | 1,000    | 2,000    |
|---------------|----------|----------|----------|----------|----------|
| Model         | PML-1    | PML-3    | PML-6    | PML-10   | PML-20   |
| Product Code  | 02814010 | 02814030 | 02814061 | 02815100 | 02815200 |
| A (mm)        | 67       | 91       | 117      | 163      | 212      |
| B (mm)        | 62       | 92       | 122      | 176      | 234      |
| C (mm)        | 92       | 162      | 232      | 258      | 378      |
| D (mm)        | 126      | 155      | 196      | 285      | 426      |



• Larger capacities available on indent. Refer your local Cookes branch for details.

• The information shown is to be used as a guide only. Specifications are subject to change without notice.

• Never exceed the Rated Capacity.  
• Use of plate with high-carbon content will reduce the absorbability to less than 50% of Rated Capacity. Use on plate with high carbon content is not recommended.

# PLATE CLAMPS & GRABS

## CASE GRABS

### Spiked Case Grabs

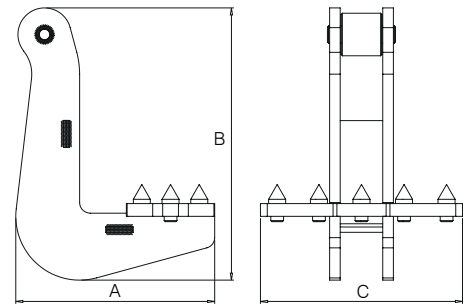


| Product Code | WLL (t)  | Dimensions (mm) |     |     | Weight (kg) |
|--------------|----------|-----------------|-----|-----|-------------|
|              | per Pair | A               | B   | C   | per Pair    |
| 07420010     | 1.0      | 160             | 220 | 195 | 6.4         |
| 07420020     | 2.0      | 187             | 256 | 195 | 10.5        |
| 07420030     | 3.0      | 290             | 330 | 240 | 20.4        |



Used in conjunction with a chain sling to lift wooden boxes, crates and cable spools up to 3 tonne.

- Solid spike construction.
- Large pad area to spread the load.
- Tested and certified.
- Manufactured in New Zealand.



Fitted to an endless chain sling, spiked case grabs ensure wooden cases or cable drums are held securely for lifting.



• Never exceed manufacturer's Working Load Limit (WLL).

# PLATE CLAMPS & GRABS

## SPECIALTY CLAMPS & GRABS



As New Zealand distributor for the Crosby Group USA and Camlok U.K., Cookes has access to innovative, high quality clamps and grabs to suit all applications.



13

MATERIALS HANDLING  
EQUIPMENT

• For further information on these high quality engineered products, please refer to your nearest Cookes branch, Freephone 0508 274 366 or email [customerservices@bridoncookes.co.nz](mailto:customerservices@bridoncookes.co.nz)



# PLATE CLAMPS & GRABS

**Camlok**  
Lifting Clamps

## SPECIALTY CLAMPS & GRABS

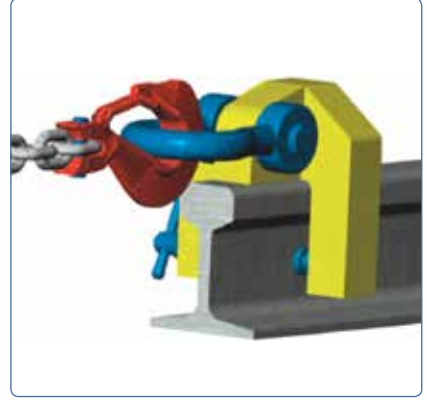
Concrete Pipe Lifting Clamps



Single Rail Clamps



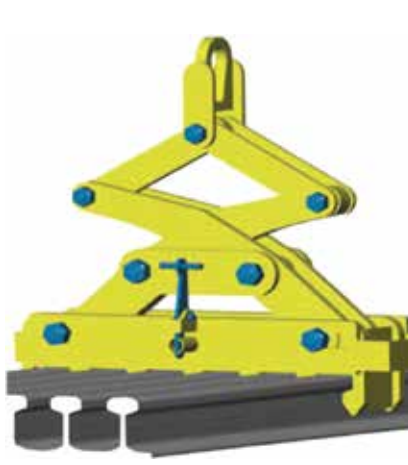
Rail Pulling Clamps



Fixed Multi Rail Clamps



Interchangeable Multi Rail Clamps



Light Weight Block Clamps



Light Weight Profile Steel Grabs



Pile Pulling Clamps



Pile Pitching Clamps



13  
MATERIALS HANDLING  
EQUIPMENT

• For further information on these high quality engineered products, please refer to your nearest Cookes branch, Freephone 0508 274 366 or email [customerservices@bridoncookes.co.nz](mailto:customerservices@bridoncookes.co.nz)

# PLATE CLAMPS & GRABS

**Camlok**  
Lifting Clamps

## SPECIALTY CLAMPS & GRABS

Board Clamps



Hand Grip Clamps



Universal Turning Hooks



Single Arm C-Hooks



Twin Arm C-Hooks



Inside Coil Clamps



13

MATERIALS HANDLING  
EQUIPMENT

Round Stock Clamps



Block Grabs



Cable Drum Lug with Locking Lever



• For further information on these high quality engineered products, please refer to your nearest Cookes branch, Freephone 0508 274 366 or email [customerservices@bridoncookes.co.nz](mailto:customerservices@bridoncookes.co.nz)



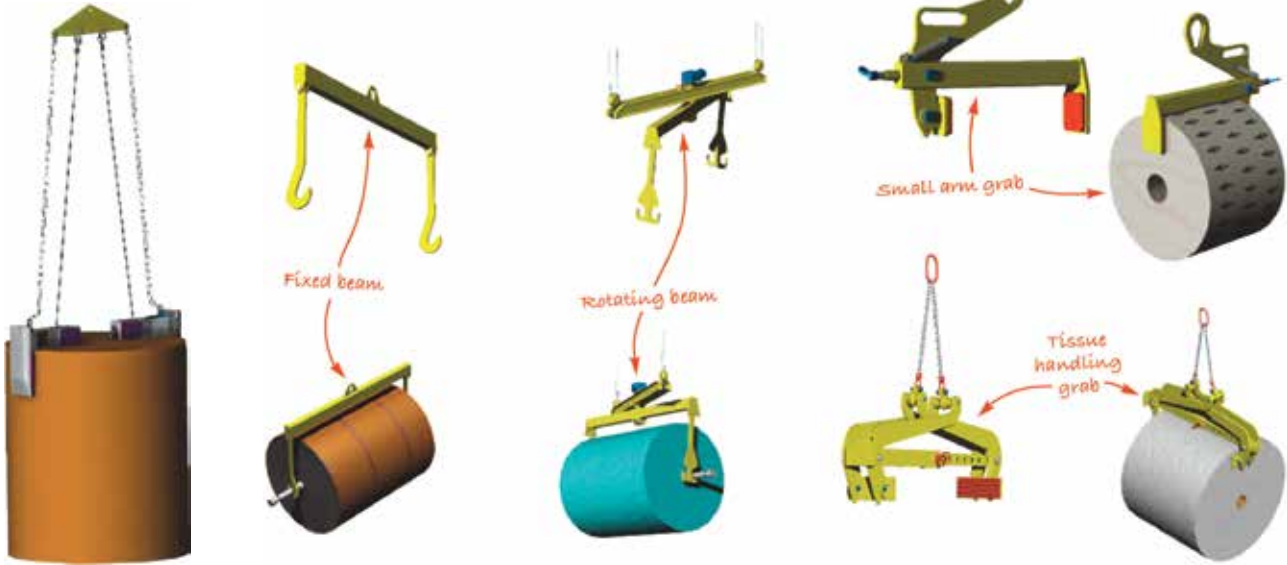
# PLATE CLAMPS & GRABS

## SPECIALTY CLAMPS & GRABS

**Camlok**  
Lifting Clamps

Paper Reel Head Clamps

Other Camlok Paper Handling Options



## CRANE FORKS



### BESPOKE DESIGN

Camlok has a broad and diverse line of standard products that satisfy the requirements of the majority of lifting applications. However, Camlok engineers are often asked to design clamps and grabs for unusual and specific customer applications.

Camlok has a full team of in-house design engineers who are there to help with special enquiries you may come across.

Please contact Cookes with a rough outline of what your application entails and we will endeavour to produce a budget price and obtain a general arrangement sketch.

**Camlok**  
Lifting Clamps



• For further information on these high quality engineered products, please refer to your nearest Cookes branch, Freephone 0508 274 366 or email [customerservices@bridoncookes.co.nz](mailto:customerservices@bridoncookes.co.nz)

# PILING RELEASE SHACKLES

## GROUND RELEASE SHACKLES

### Euro Ground Release Shackles

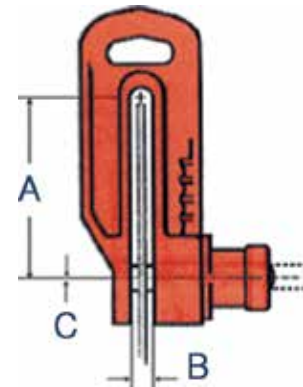


| Product Code | Dawson Item No. | WLL  | Dimensions (mm) |    |    | Net Weight |
|--------------|-----------------|------|-----------------|----|----|------------|
|              |                 | t    | A               | B  | C  | kg         |
| 02846002*    | 150/4.0T        | 4.0  | 150             | 30 | 22 | 18         |
| 02846004*    | 150/7.5T        | 7.5  | 150             | 30 | 28 | 18         |
| 02846006*    | 150/10.0T       | 10.0 | 150             | 30 | 35 | 18         |
| 02846008*    | 250/7.5T        | 7.5  | 250             | 30 | 28 | 22         |
| 02846010*    | 250/10.0T       | 10.0 | 250             | 30 | 35 | 22         |

\* Available on indent.

The Euro Ground Release Shackle has been developed specially for steel sheet piling. Its purpose is to enable steel piles to be lifted into position and when held securely in temporary guides, the shackle can be released quickly and safely, avoiding the costly delay and inherent hazards of putting a man up to the release position.

- High quality alloy steel casting.
- Fast hook up.
- Fast release (approx. 10 seconds).
- Security ring to guard against accidental release.
- Individually proof tested and certified.
- Design factor 5:1
- A product of Dawson U.K.



13

MATERIALS HANDLING EQUIPMENT



• Never exceed manufacturer's Working Load Limit (WLL).

# PILING RELEASE SHACKLES

## REMOTE RATCHET RELEASE SHACKLES

### Ratchet Action Release Shackles



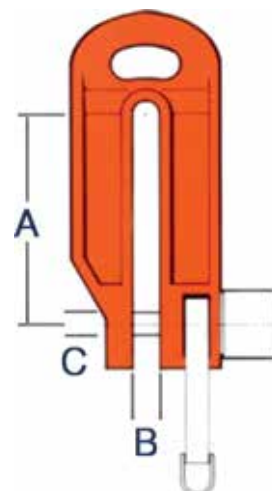
| Product Code | Dawson Item No. | WLL  | Dimensions (mm) |    |    | Net Weight |
|--------------|-----------------|------|-----------------|----|----|------------|
|              |                 | t    | A               | B  | C  | kg         |
| 02846103*    | R150/5.0T       | 5.0  | 150             | 30 | 24 | 14         |
| 02846104*    | R150/7.5T       | 7.5  | 150             | 30 | 27 | 14         |
| 02846106*    | R150/10.0T      | 10.0 | 150             | 30 | 35 | 15         |
| 02846109*    | R250/5.0T       | 5.0  | 250             | 30 | 24 | 18         |
| 02846110*    | R250/7.5T       | 7.5  | 250             | 30 | 27 | 18         |
| 02846112*    | R250/10.0T      | 10.0 | 250             | 30 | 35 | 18         |
| 02846120*    | R250/40.0T      | 40.0 | 250             | 30 | 60 | 67         |

\* Available on indent.

The Ratchet Release Shackle is designed to enable steel, timber or concrete elements to be lifted into position, any height above ground level and for the shackle to be disconnected safely and efficiently from a remote position.

The purpose is to save the time taken and avoid the material costs of providing access for a man to disconnect the shackle. Achieving this result makes the work faster, more economical and inherently safe.

- High quality alloy steel casting.
- Fast hook up.
- Fast release (approx. 15 seconds).
- Ratchet mechanism ensures a fail-safe mode. Release action cannot occur accidentally.
- Individually proof tested and certified.
- Design factor 5:1
- A product of Dawson U.K.



• Never exceed manufacturer's Working Load Limit (WLL).

# DRUM LIFTING EQUIPMENT

## DRUM SLINGS

### Cookes Drum Chain Slings



| Product Code | Working Load Limit* | Jaw Opening | Net Weight |
|--------------|---------------------|-------------|------------|
|              | kg                  | mm          | kg         |
| 02836810     | 1,000               | 0 – 25      | 4          |

\* WLL applies when used as a double-leg sling.



The Cookes 2-leg Drum Lifting Chain Sling is designed for the safe lifting and transporting of steel drums. With automatic locking clamp mechanism.

- The clamp mechanism securely fits to drum rim.
- Can be used to lift, tilt or turn drums.
- Lightweight and very quick and easy to use with an overhead crane or suitable hoist.
- Manufactured in China.

13

MATERIALS HANDLING EQUIPMENT

### Cookes Drum Webbing Slings



| Product Code | Working Load Limit | Webbing Width | Drum Size              |
|--------------|--------------------|---------------|------------------------|
|              | kg                 | mm            |                        |
| 09403000     | 500                | 50            | 205 Litre / 44 Gallons |

The popular Cookes Drum Lifting Webbing Slings are designed for use with ribbed 205L metal drums.

- 100% polyester webbing with locking ratchet tensioner.
- Lightweight and safe for loading up to 500kg WLL.
- Allows easy pouring from drum.
- Manufactured in New Zealand.



• Never exceed manufacturer's Working Load Limit (WLL).



• Never use webbing drum lifting slings on damaged drums where webbing may be cut or damaged.

# DRUM LIFTING EQUIPMENT

## DRUM CLAMPS & LIFTERS

### Cookes Drum Clamps



| Product Code | Working Load Limit | Jaw Opening | Net Weight |
|--------------|--------------------|-------------|------------|
|              | kg                 | mm          | kg         |
| 02836806     | 600                | 0 – 30      | 5          |

The Cookes Drum Clamp is designed to lift & transfer steel drums in the upright position. These clamps are compact, lightweight and easy to use.

- May be used singly or several clamps may be used at one time under a spreader bar for the loading or unloading of cargo holds.
- 600kg Working Load Limit.
- Manufactured in China.



### Challenger Drum Lifter

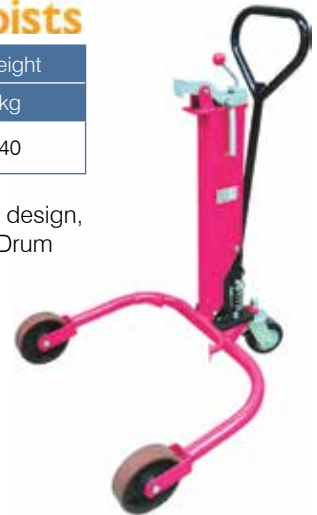


| Product Code | Pacific Hoist Item No. | Rated Capacity | Lifting Height | Maximum Drum (mm) |        | Weight |
|--------------|------------------------|----------------|----------------|-------------------|--------|--------|
|              |                        | kg             | mm             | Diameter          | Length | kg     |
| 10963350     | CDL25                  | 250            | 280            | 572               | 915    | 40     |

The Challenger Drum Lifter is a safe solution for lifting and shifting 250kg drums. A light-weight design, swivel steering and an easily manoeuvrable handle allow for easy positioning. The Challenger Drum Lifter is a great solution to help eliminate injuries from the manual handling of drums.

- Perfectly suited for lifting standard international size drums e.g. 200L/55GL.
- Lightweight design and easily manoeuvrable.
- Locking mechanism grips to the top of the drum and secures safely.
- Easy movement and positioning with push-or-pull motion handle and swivel steering.
- Hydraulic pump handle to easily lower or lift drum.

**‘Challenger’ products proudly supporting cancer charities in New Zealand.**



### Maxirig Drum Lifter



| Product Code | Maxirig Item No. | Working Load Limit | Height x Width | Net Weight |
|--------------|------------------|--------------------|----------------|------------|
|              |                  | kg                 | mm             | kg         |
| 10972258*    | DLF1050          | 700                | 1,400 x 715    | 40         |

\* Available on indent.

The Maxirig Drum Lifter is manufactured in accordance with AS4991-2004. It is designed to enable easy and safe transportation of standard 205L drums via overhead crane.

- Retaining chains for quick and simple locking.
- Supplied with proof test load certificate and MPI welding report.
- One-year manufacturer’s guarantee!
- Manufactured in Australia.



- Never exceed manufacturer’s Working Load Limit (WLL).
- Never lift or transfer a load over people.
- Avoid shock loading.



# DRUM LIFTING EQUIPMENT

## DRUM GRABS

Pacific Safety Drum Grabs – DrumGrab™

Pacific Hoists

| Product Code | Pacific Item No. | Working Load Limit | Drum Size              | Net Weight |
|--------------|------------------|--------------------|------------------------|------------|
|              |                  | t                  |                        | kg         |
| 02840030     | PDG100           | 1.0                | 205 Litre / 44 Gallons | 7          |

Complies with AS4991.

The DrumGrab™ is a unique device which offers a safe, easy and reliable way to shift, lift and manoeuvre most 205L drums. It is self-centering, fast and easy to lock on and will only come off when required.

It fits to most lifting devices and has a rated capacity of 1 tonne. DrumGrab™ is an efficient method of drum handling which prevents injuries and spills and will make the job easy!

**Standard features include:**

- Fits to almost all plastic and steel 205L drums with lids fitted, which have a rim.
- Capable of extracting a drum from the middle of a cluster without affecting the other drums.
- Cast, using high quality ductile iron; powder coated in safety yellow.
- Robust and reliable for harsh conditions.
- Prevents injuries and spills.
- Manufactured in Australia.



13

MATERIALS HANDLING EQUIPMENT



• Never exceed manufacturer's Working Load Limit (WLL).

# CONTAINER LIFTING EQUIPMENT

## CAMLOK LIFTING LUGS

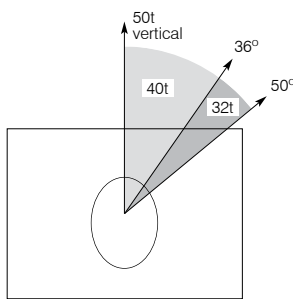
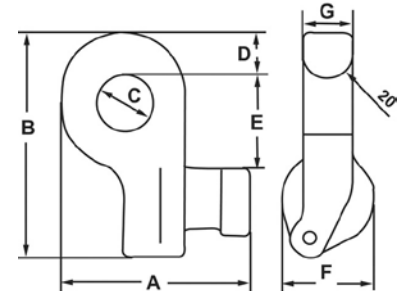
### Camlok CLB Side Lifting Container Lugs



| Product Code | Camlok Item No. | Type       | Dimensions (mm) |     |    |    |    |    |    | Weight |
|--------------|-----------------|------------|-----------------|-----|----|----|----|----|----|--------|
|              |                 |            | A               | B   | C  | D  | E  | F  | G  | kg/set |
| 09115007     | CLB             | Left Hand  | 152             | 181 | 45 | 37 | 73 | 75 | 40 | 18     |
| 09115008     | CLB             | Right Hand | 152             | 181 | 45 | 37 | 73 | 75 | 40 | 18     |

### Working Load Limit Chart

| WLL (kg)<br>per set of 4 | Lifting Sling<br>Angle | Type<br>of Lifting |
|--------------------------|------------------------|--------------------|
| 32,000                   | 50°                    | Side               |
| 40,000                   | 36°                    | Side               |
| 50,000                   | Vertical               | Side               |

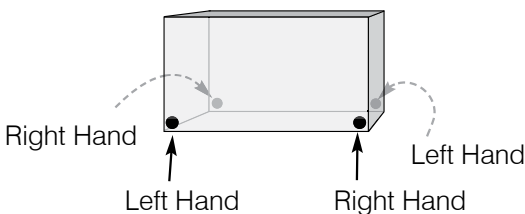


Camlok CLB Side Lifting Container Lugs are designed to stay in place when the slings become slack. Supplied as a set of four pieces: 2x left hand, 2x right hand. Mount horizontally to the side of the container at either the top or bottom fixing holes. The degree of inclination permits the lifting of all but the largest containers with a single spreader beam.

- Tested and certified.
- Connect for lifting with 2x2-leg chain slings.
- Spring loaded bolt to prevent accidental release.
- Each lug is stamped with the maximum WLL and the angle of working for the set.
- Manufactured in the U.K.

### Lugs are handed left and right.

- Left hand lugs are marked with an 'L'.
- Right hand lugs are marked with an 'R'.



- Never exceed manufacturer's Working Load Limit (WLL).
- Do not use with a 4-leg lifting sling.



# CONTAINER LIFTING EQUIPMENT

## CAMLOK LIFTING LUGS

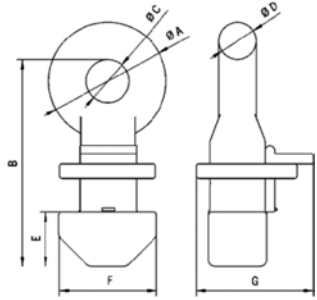
### Camlok CLT Top Lifting Container Lugs



| Product Code | Camlok Item No. | WLL (kg) per set of 4 | Type | Dimensions (mm) |     |    |    |    |     |     | Weight kg/set |
|--------------|-----------------|-----------------------|------|-----------------|-----|----|----|----|-----|-----|---------------|
|              |                 |                       |      | A               | B   | C  | D  | E  | F   | G   |               |
| 09115006     | CLT             | 56,000                | Top  | 123             | 217 | 45 | 39 | 57 | 101 | 121 | 28            |

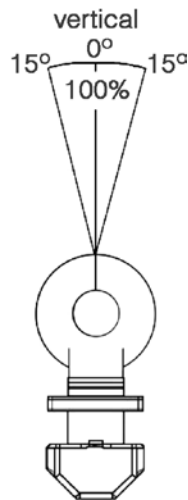
Supplied as a set of four pieces. Mount vertically in the holes at the top of container. Configuration allows for transportation via the use of a lifting frame in conjunction with chain or wire rope slings.

- Tested and certified.
- Locks in place by simply turning the lug 90°.
- Stamped with WLL.
- Manufactured in the U.K.



### Working Load Limit Chart

| WLL (kg) per set of 4 | Angle from Vertical | Type of Lifting |
|-----------------------|---------------------|-----------------|
| 56,000                | 0 – 15°             | Top             |



13

MATERIALS HANDLING EQUIPMENT

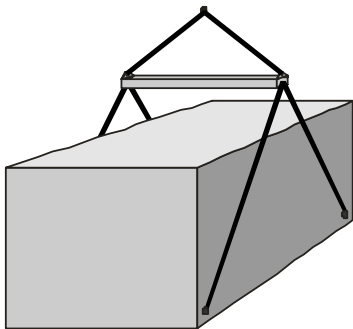


- Never exceed manufacturer's Working Load Limit (WLL).
- Do not use with a 4-leg lifting sling.

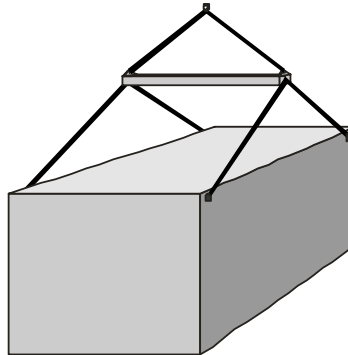
# CONTAINER LIFTING EQUIPMENT

## SAFE USE OF CAMLOK CONTAINER LIFTING LUGS

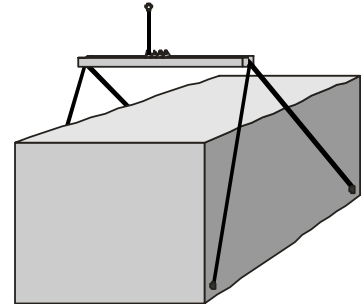
Note: Minimum angle will depend on WLL required.



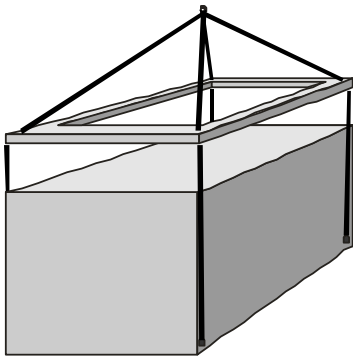
1. Spreader beam adds stability to lift.



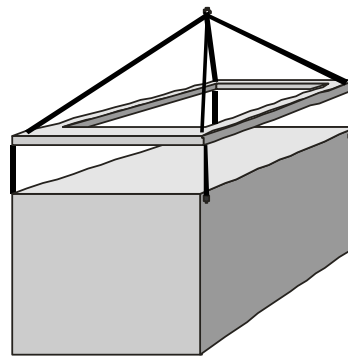
2. MKVa Lugs can be used in top side fitting also.



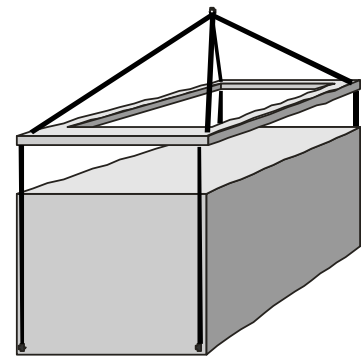
3. Un-symmetrically loaded containers can be handled by using lifting beams and shortening chain slings.



1. Bottom side.

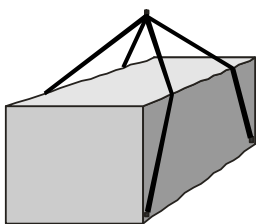


2. Top side.

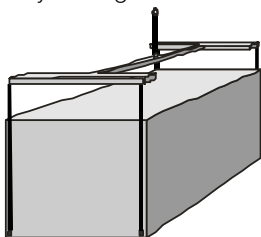


3. Bottom end.

For maximum load capacity a lifting frame can be used with the lugs attached as above.

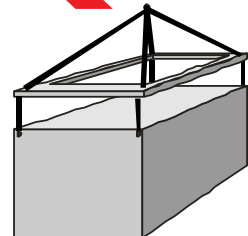
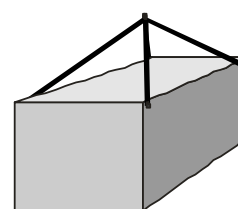
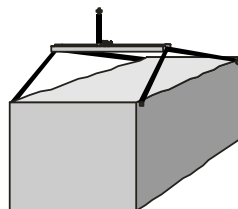


Not recommended, sling may damage container.



Lifting frames offer little stability.

**UNSAFE – DO NOT USE**



CLB Side Lifting Container Lugs are designed for use with a spreader beam.

CLT Top Lifting Container Lugs are designed for vertical lift with a spreader frame.

# CONTAINER LIFTING EQUIPMENT

## CONTAINER LIFTING HOOKS

### VCH Side Lift Container Hooks

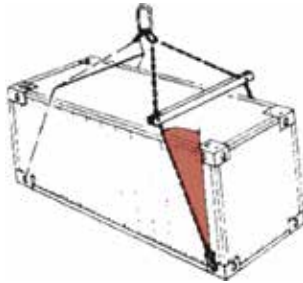
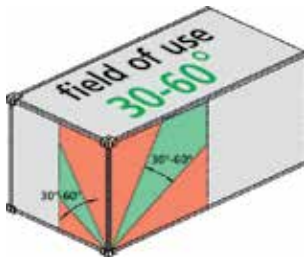


| Product Code | RUD Item No. | Reference | WLL (t) | Dimensions (mm) |    |    |    |    |    | Weight |
|--------------|--------------|-----------|---------|-----------------|----|----|----|----|----|--------|
|              |              | No.       | each    | A               | B  | C  | D  | E  | F  | kg     |
| 09115003*    | VCH-10t      | 51005     | 10.0    | 56              | 70 | 24 | 83 | 76 | 45 | 3      |

\* Available on indent.

Suitable for use with standard ISO container fixing holes.

- Tested and certified.
- Strong, compact, RUD quality.
- Complies with EN1677,
- Manufactured in Germany.



The VCH-10t is **not designed** to be used for vertical lifts.

Use VCH-10t **only** at an angle **larger than 30° and up to 60° at the maximum**. A self-release during the lift is hereby not possible. Usage outside this angle range is prohibited.

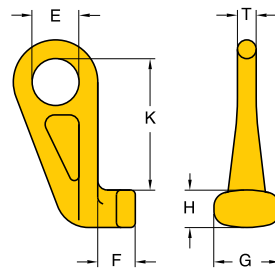
### Eye Container Hook – Type KA



| Product Code | Yoke Item No. | Description | WLL (t) | Dimensions (mm) |    |    |    |     |    | Weight |
|--------------|---------------|-------------|---------|-----------------|----|----|----|-----|----|--------|
|              |               |             | each    | E               | F  | G  | H  | K   | T  | kg     |
| 02466001     | 8-067-45LT    | Left 45°    | 12.5    | 70              | 45 | 75 | 48 | 192 | 25 | 3.9    |
| 02466002     | 8-067-45RH    | Right 45°   | 12.5    | 70              | 45 | 75 | 48 | 192 | 25 | 3.9    |
| 02466005     | 8-067-STR     | Straight    | 12.5    | 70              | 45 | 75 | 48 | 192 | 25 | 3.9    |

Designed for use with standard ISO container fixing holes.

- Design factor 4:1
- Proof tested and certified.
- Complies with EN1677.
- Manufactured in Taiwan.



• It's recommended that loaded containers are lifted from the bottom as this is where the container is stronger.



- Never exceed manufacturer's Working Load Limit (WLL).
- A minimum included sling angle of 30° must be maintained to prevent the risk of disengagement.
- Do not exceed 60° included sling angle.

# CONTAINER LIFTING EQUIPMENT

## CONTAINER LIFTERS

Cookes is proud to be the authorised New Zealand distributor for Maxirig

**Maxirig**



### 20ft Maxirig CLF1250 Autolock Container Lifter

WLL 35 tonne @ 60° included angle.

This device is for handling 20 foot ISO shipping containers. Features include:

Sling activated mechanical twistlocks. Low maintenance – no electrics or hydraulics. Eliminates need for personnel to attach slings, operate twistlocks or get on top of containers. Ideal for use when stacking containers.



### 40ft Maxirig CLF2350 Autolock Container Lifter

WLL 35 tonne @ 60° included angle.

This device is for handling 40 foot ISO shipping containers. Features include:

Sling activated mechanical twistlocks. Low maintenance – no electrics or hydraulics. Eliminates need for personnel to attach slings, operate twistlocks or get on top of containers. Ideal for use when stacking containers.

- Supplied with proof load test certificate, MPI welding inspection report and certificate of conformance to AS4991.
- Supplied complete with wire rope slings and shackles.
- Fitted with compliance plates.
- User notes supplied.
- Maxirig Container Handlers are manufactured in Australia and available on indent.



• This product is currently under redesign. Please contact your local Cookes branch, Freephone 0508 274 366 or email [customerservices@bridoncookes.co.nz](mailto:customerservices@bridoncookes.co.nz) for further information.

13

MATERIALS HANDLING  
EQUIPMENT

# CONTAINER LIFTING EQUIPMENT

## CONTAINER LIFTERS

Cookes offer New Zealand's widest range of container handling spreaders.

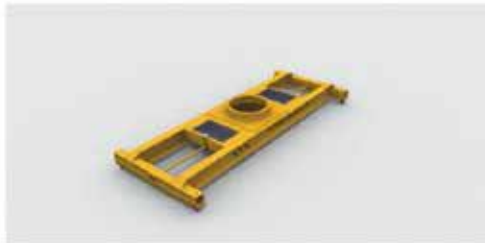
Representing world-leading manufacturers allows us to offer many special options.



**FULLY AUTOMATIC SPREADERS**



**SEMI-AUTOMATIC SPREADERS**



**SPECIAL MODELS**



**EASY SPREADERS**



**OVERHEIGHT FRAMES**



**SPREADERS FOR INDOOR USE**



• Contact your local Cookes branch, Freephone 0508 274 366 or email [customerservices@bridoncookes.co.nz](mailto:customerservices@bridoncookes.co.nz)



# CONTAINER LIFTING EQUIPMENT

## LIFTING SLINGS

Cookes is New Zealand's specialist manufacturer of lifting slings.

With trained riggers and facilities at 12 branches throughout New Zealand, **Cookes** can design and fabricate your container lifting sling assemblies.

Whether your preference is chain or steel wire rope, **Cookes** have the equipment and the expertise to provide safe, fit for purpose lifting slings to meet your requirements.



Cookes Steel Wire Rope Slings fabricated to order.



• Contact your local Cookes branch, Freephone 0508 274 366 or email [customerservices@bridoncookes.co.nz](mailto:customerservices@bridoncookes.co.nz)

# WORK BOXES & CAGES

## WORK BOXES

### Maxirig Work Box Range

Cookes is proud to be the authorised New Zealand distributor for the high quality Australian designed and manufactured Maxirig range of work boxes and goods cages.

Painted in high visibility Y14 Golden Yellow, each box is individually proof tested, carries a MPI weld inspection certification and includes a 12-month manufacturer's guarantee.

- Harris Walton fixtures for attachment of safety harness.
- Full internal handrailing.
- Supplied complete with multi-leg chain slings.
- Complies with AS1418.
- Manufactured in Australia.

### Why Maxirig?

Established in 2005, Maxirig set out to create the highest quality equipment to meet the demands of the lifting and rigging industry and to comply with Government standards. Today, Maxirig supplies customers in the mining, construction, manufacturing and oil & gas industries throughout Australia and New Zealand with the highest quality products, ranging from telescopic spreader bars to work boxes.

### Designed to Meet the Toughest Australian and New Zealand Standards

All Maxirig equipment is designed and manufactured in Australia. Each product is designed by Maxirig engineers to meet the toughest Australian and New Zealand Standards then carefully manufactured by a fully qualified team of welders, boiler makers and commercial painters. Throughout the process each product is fully tested to ensure it performs to its maximum ability.

**Maxirig**

| Single Person Work Box – with Roof  | Two Person Work Box   | Two Person Work Box – with Roof   |
|---|---|---|
|                              |                              |                              |
| Product Code: 10972114*<br>Model No.: AMC1013-R<br>WLL: 125kg<br>Weight: 125kg<br>Dim. (LWH): 600 x 600 x 2,300 | Product Code: 10972120*<br>Model No.: BMC1025<br>WLL: 250kg<br>Weight: 250kg<br>Dim. (LWH): 1,200 x 750 x 1,155 | Product Code: 10972124*<br>Model No.: BMC1025-R<br>WLL: 250kg<br>Weight: 300kg<br>Dim. (LWH): 1,200 x 750 x 2,300 |

\* Available on indent from Australia.



• For a comprehensive data sheet on your required model contact your local Cookes branch, Freephone 0508 274 366 or email [customerservices@bridoncookes.co.nz](mailto:customerservices@bridoncookes.co.nz) for further information.



• Never exceed manufacturer's Working Load Limit (WLL).

13



MATERIALS HANDLING  
EQUIPMENT



# WORK BOXES & CAGES

## WORK BOXES


**Maxirig**


| Three Person Work Box  | Three Person Work Box – with Roof  |
|--|--|
|   |    |
| <p>Product Code: 10972130*</p> <p>Model No.: CMC1035</p> <p>WLL: 350kg</p> <p>Weight: 350kg</p> <p>Dim. (LWH): 1,200 x 1,200 x 1,155</p> | <p>Product Code: 10972134*</p> <p>Model No.: CMC1035-R</p> <p>WLL: 250kg</p> <p>Weight: 390kg</p> <p>Dim. (LWH): 1,200 x 1,200 x 2,300</p> |

\* Available on indent from Australia.

| Three Person Crane Suspended Work Cage   | Three Person Crane Suspended Rescue Cage   |
|--|--|
|   |    |
| <p>Product Code: 10972140*</p> <p>Model No.: CMC2035</p> <p>WLL: 300kg</p> <p>Weight: 1,300kg</p> <p>Dim. (LWH): 2,000 x 1,000 x 1,155</p> | <p>Product Code: 10972142*</p> <p>Model No.: DMC2050</p> <p>WLL: 375kg</p> <p>Weight: 1,750kg</p> <p>Dim. (LWH): 2,450 x 1,250 x 1,155</p> |

\* Available on indent from Australia.

 For a comprehensive data sheet on your required model contact your local Cookes branch, Freephone 0508 274 366 or email [customerservices@bridoncookes.co.nz](mailto:customerservices@bridoncookes.co.nz) for further information.

 Never exceed manufacturer's Working Load Limit (WLL).

13  
MATERIALS HANDLING  
EQUIPMENT

# WORK BOXES & CAGES

## GOODS CAGES

**Maxirig**

| Tool Cage   | Brick Pallet Lifting Cage  |
|---|--|
|    |    |
| <p>Product Code: 10972165*<br/>                     Model No.: GCG3025<br/>                     WLL: 250kg<br/>                     Weight: 30kg<br/>                     Dim. (LWH): 600 x 600 x 600</p> | <p>Product Code: 10972192*<br/>                     Model No.: BPL1200<br/>                     WLL: 2,000kg<br/>                     Weight: 200kg<br/>                     Dim. (LWH): 1,356 x 1,356 x 1,205</p> |

\* Available on indent from Australia.

| Goods Cage   | Goods Cage – with Door   |
|--|--|
|   |    |
| <p>Product Code: 10972184*<br/>                     Model No.: GCG2202<br/>                     WLL: 2,000kg<br/>                     Weight: 135kg<br/>                     Dim. (LWH): 1,170 x 1,170 x 990</p> | <p>Product Code: 10972167*<br/>                     Model No.: GCG2201<br/>                     WLL: 2,000kg<br/>                     Weight: 255kg<br/>                     Dim. (LWH): 1,400 x 1,400 x 1,385</p> |

\* Available on indent from Australia.



• For a comprehensive data sheet on your required model contact your local Cookes branch, Freephone 0508 274 366 or email [customerservices@bridoncookes.co.nz](mailto:customerservices@bridoncookes.co.nz) for further information.



• Never exceed manufacturer's Working Load Limit (WLL).  
 • Cages on this page are not designed for lifting of personnel.

13

MATERIALS HANDLING  
EQUIPMENT

# PALLET LIFTING EQUIPMENT

## PALLET LIFTING BARS

Maxirig Pallet Lifting Bars

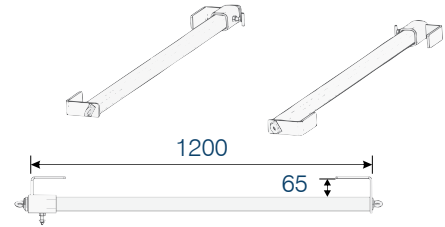
**Maxirig**

| Product Code | Maxirig Item No. | WLL   | Length | Net Weight    |
|--------------|------------------|-------|--------|---------------|
|              |                  | kg    | mm     | kg / Set of 4 |
| 10972190*    | PLB1020          | 2,000 | 1,240  | 36            |

\* Available on indent.

These high quality lifting bars are designed to lift standard pallets via multi-leg chain slings.

- Complies with AS4991.
- Fitted with sliding keepers to ensure stability under load.
- Supplied with Proof Load Certificate and MPI Welding Report.
- Manufactured in Australia.



• Never exceed manufacturer's Working Load Limit (WLL).

# BULK BAG LIFTING EQUIPMENT

## BULK BAG LIFTING FRAME

Maxirig Bulk Bag Lifting Frame

**Maxirig**

| Product Code | Maxirig Item No. | WLL – 2 Loop Bag | WLL – 4 Loop Bag | Dimensions    | Net Weight |
|--------------|------------------|------------------|------------------|---------------|------------|
|              |                  | kg               | kg               | L x W (mm)    | kg         |
| 10972242*    | BLF1200          | 1,000            | 2,000            | 1,200 x 1,200 | 30         |

\* Available on indent.

With a 2,000kg Working Load Limit, the Maxirig Bulk Bag Lifting Frame is a high quality unit that provides an efficient means of handling a variety of bulk bags by overhead crane.

- Complies with AS4991.
- Supplied with Proof Load Certificate and MPI Welding Report.
- Manufactured in Australia.

Designed for use with either: **2.0 tonne x 4 loop bulk bags** or **1.0 tonne x 2 loop bulk bags.**



13

MATERIALS HANDLING  
EQUIPMENT



• Never exceed manufacturer's Working Load Limit (WLL).

# LOAD SKATES & ROLLERS

## LOAD SKATES & ROLLERS

### Pacific Load Rollers – PLR Series



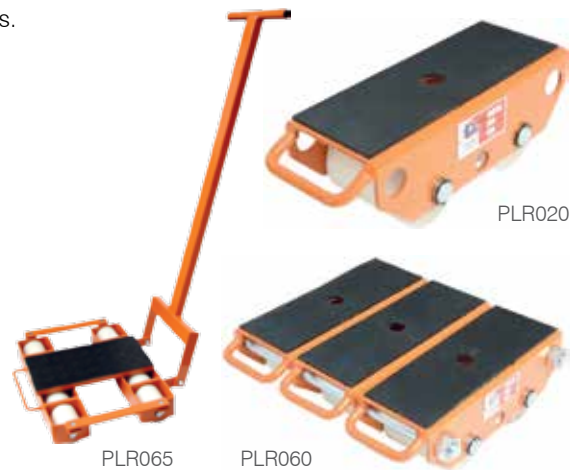
| Product Code | Pacific Hoist Item No. | Rated Capacity (t) | Type   | Plate Size | Overall Roller Size | Wheels |            | Net Weight |
|--------------|------------------------|--------------------|--------|------------|---------------------|--------|------------|------------|
|              |                        | each               |        | W x L (mm) | W x L x H (mm)      | No.    | D x W (mm) | kg         |
| 10100350     | PLR020                 | 2                  | Fixed  | 95 x 260   | 115 x 270 x 110     | 2      | 82 x 100   | 7.5        |
| 10100360     | PLR040                 | 4                  | Fixed  | 190 x 260  | 230 x 270 x 110     | 4      | 82 x 100   | 17         |
| 10100365     | PLR045                 | 4                  | Swivel | 180 x 115  | 250 x 310 x 110     | 4      | 82 x 100   | 16         |
| 10100370     | PLR060                 | 6                  | Fixed  | 285 x 260  | 345 x 270 x 110     | 6      | 82 x 100   | 25         |
| 10100375     | PLR065                 | 6                  | Swivel | 220 x 395  | 560 x 395 x 110     | 8      | 82 x 100   | 50         |
| 10100380     | PLR120                 | 12                 | Fixed  | 230 x 270  | 400 x 345 x 145     | 8      | 115 x 60   | 26         |
| 10100390     | PLR245                 | 24                 | Swivel | Ø 270      | 1,120 x 415 x 145   | 16     | 115 x 60   | 160        |

Load Rollers are designed for moving heavy loads across flat surfaces.

The nylon wheels provide added protection to flooring and with the option between swivel or fixed operation, this product is suited for many applications.

#### Features include:

- Available in capacities varying from 2 to 24 tonne.
- Nylon wheels with sealed bearings for increased durability.
- Non-slip rubber grip surfaces prevent load movement.
- High visibility colours for safety purposes.
- Low overall height for easy positioning under loads.
- No axles, bearings, or other closely fitted, wear prone parts.



• Never exceed the Rated Capacity.



# LOAD SKATES & ROLLERS

## LOAD SKATES & ROLLERS

### Pacific Load Skates – PLS Series



| Product Code | Pacific Hoist Item No. | Rated Capacity (t) | Dimension       | Track Width | Roller Dia | Number of Rollers | Rollers in Contact | Net Weight |
|--------------|------------------------|--------------------|-----------------|-------------|------------|-------------------|--------------------|------------|
|              |                        | each / per 4       | L x W x H       | mm          | mm         |                   |                    | kg         |
| 10838105     | LSK005                 | 1.25 / 5.0         | 169 x 100 x 65  | 55          | 20         | 12                | 4                  | 3.9        |
| 10838110     | LSK010                 | 2.5 / 10.0         | 188 x 100 x 65  | 55          | 20         | 14                | 5                  | 4.5        |
| 10838120     | LSK020                 | 5.0 / 20.0         | 210 x 100 x 65  | 55          | 20         | 16                | 6                  | 5.0        |
| 10838130     | LSK030                 | 7.5 / 30.0         | 210 x 100 x 65  | 55          | 20         | 16                | 6                  | 5.0        |
| 10838150     | LSK050                 | 12.5 / 50.0        | 275 x 140 x 100 | 72          | 30         | 14                | 6                  | 18.0       |
| 10838175     | LSK075                 | 18.75 / 75.0       | 290 x 145 x 100 | 72          | 30         | 14                | 6                  | 18.0       |

The Pacific Load Skates are designed to facilitate the moving, positioning or installation of a wide range of loads, including heavy equipment, machinery and bridge structures.

The optional turntable and positioning handle ensure that these load skates are suitable for many applications.

Features include:

- Available in capacities varying from 5 to 75 tonne.
- Optional turntable and positioning handle available for all models.
- High visibility colours for safety purposes.



### Optional Turntable & Positioning Handle

| Product Code | Pacific Hoist Item No. | Rated Capacity | Height incl. Turntable | Turntable Top Dia. |
|--------------|------------------------|----------------|------------------------|--------------------|
|              |                        | t              | mm                     | mm                 |
| 10838100     | LSK120                 | 5 – 30         | 100                    | 100                |
| 10838101*    | LSK175                 | 50 – 75        | 145                    | 150                |

\* Available on indent.



Load skate – Including turntable & positioning handle.



• Never exceed the Rated Capacity.

# TROLLEYS & TRUCKS

## LIFT TROLLEYS

### Manual Lift Trolley – Challenger Series

Pacific Hoists

| Product Code | Pacific Hoist Item No. | Rated Capacity | Max. Height x Width | Platform Height |           | Platform   | Lift Height | Net Weight |
|--------------|------------------------|----------------|---------------------|-----------------|-----------|------------|-------------|------------|
|              |                        | kg             | mm                  | Max. (mm)       | Min. (mm) | L x W (mm) | mm          | kg         |
| 10100337     | CMS120                 | 400            | 1,425 x 600         | 1,200           | 85        | 650 x 576  | 1,115       | 81         |
| 10100338     | CMS150                 | 400            | 1,725 x 600         | 1,500           | 85        | 650 x 576  | 1,415       | 91         |
| 10100339     | CMS170                 | 400            | 1,925 x 600         | 1,700           | 85        | 650 x 576  | 1,615       | 99         |

The Challenger Manual Lifter Trolley is a high quality, cost effective alternative to forklifts. Ideally suited for unloading skids in warehouses, workshops and smaller working environments, all models are fitted with an overload valve and a slow lowering valve to control speed.

- High quality, heavy duty construction for reliability.
- Supplied with a removable work platform and adjustable fork tynes.
- Top quality, heavy load castors which ensure durability.
- Standard fitted with rear swivel brake wheels to prevent the table from moving during loading and unloading.
- Protective guard and covers.
- Available in a variety of heights to suit each application.

**‘Challenger’ products proudly supporting cancer charities in New Zealand.**



### Electric Lift Trolley – PEL Series

Pacific Hoists

| Product Code | Pacific Hoist Item No. | Rated Cap. | Platform Height |           | Platform   | Net Weight |
|--------------|------------------------|------------|-----------------|-----------|------------|------------|
|              |                        | kg         | Max. (mm)       | Min. (mm) | L x W (mm) | kg         |
| 10100345     | PEL150                 | 150        | 1,540           | 140       | 460 x 520  | 58         |

The PEL150 Electric Lifter suits a wide variety of applications. From lifting and shifting office supplies or heavy equipment to unloading trucks in a warehouse, this Electric Lifter can do it all with ease.

This diverse product is suited to any job where traditional bend and lift is required and it easily converts into a portable workstation for your convenience.

- Highly manoeuvrable and light weight, perfect for narrow spaces.
- Swivel castors fitted with foot brakes.
- Easy to use up and down switching.
- Industrial wheels for durability.
- Innovative safety inertia device.
- 24V DC operation and fitted with 2 x 12V 7AH batteries.
- 240V AC – 24V DC battery charger supplied as standard.



13

MATERIALS HANDLING  
EQUIPMENT



• Never exceed the Rated Capacity.

# TROLLEYS & TRUCKS

## LIFT TROLLEYS

### Manual Scissor Lift Trolley – PST Series



| Product Code | Pacific Hoist Item No. | Rated Capacity | Lift Height | Plate Size          | Net Weight |
|--------------|------------------------|----------------|-------------|---------------------|------------|
|              |                        | kg             | mm          | Length x Width (mm) | kg         |
| 10100815*    | PST150                 | 150            | 730         | 700 x 450           | 37         |
| 10100830*    | PST300                 | 300            | 900         | 850 x 500           | 74         |
| 10100835     | PST350                 | 350            | 1,300       | 910 x 500           | 108        |
| 10100850*    | PST500                 | 500            | 900         | 850 x 500           | 84         |
| 10100899     | PST990                 | 1,000          | 1,000       | 1,200 x 610         | 165        |

\* With collapsible handle.

Designed to significantly reduce the risk of back injuries by making lifting and shifting of loads up to 1,000kg light work.

A foot operated hydraulic pedal ensures the load can be raised with ease and the ergonomic lever control will turn lowering the load into a safe operation.

- Foot operated hydraulic pedal ensures the load can be raised with ease.
- Ergonomic lever control ensures lowering the load is achieved safely.
- Toe guards on all wheels and fitted metal knee guard.
- Hydraulic valving system ensures loads lower slowly and in a controlled manner.



PST Series Lifter Trolleys are perfect for the lifting and manoeuvring of cartons and other items in small warehousing facilities. The lifter trolley will increase productivity and significantly reduce the risk of injuries.



• Never exceed the Rated Capacity.

# TROLLEYS & TRUCKS

## HAND PALLET TRUCK

### Challenger Pallet Truck – CPT Series

Pacific Hoists

| Product Code | Pacific Hoist Item No. | Rated Cap. | Fork        |            | Height    |           | Net Weight |
|--------------|------------------------|------------|-------------|------------|-----------|-----------|------------|
|              |                        | kg         | Length (mm) | Width (mm) | Min. (mm) | Max. (mm) | kg         |
| 10100330     | CPT200                 | 2,000      | 1,145       | 540        | 61        | 170       | 60         |
| 10100335     | CPT250                 | 2,500      | 1,220       | 685        | 75        | 190       | 90         |

The Challenger Pallet Truck offers a cost effective alternative to fork lifts. The articulating axle provides easier handling and control on uneven floor surfaces.

- Hardened and chromium plated piston and ram, along with top of stroke and overload bypass valve.
- Nylon steer wheels with double sealed bearings for quiet operation and long life.
- The flow-regulating valve enables controlled speed with or without load.
- Ergonomically designed handle with fingertip control.
- Special lowering valve allows control of descent rate.

**‘Challenger’ products proudly supporting cancer charities in New Zealand.**



### Stainless Steel Pallet Truck – DF20SS Series

Pacific Hoists

| Product Code | Pacific Hoist Item No. | Rated Cap. | Fork        |            | Height    |           | Net Weight |
|--------------|------------------------|------------|-------------|------------|-----------|-----------|------------|
|              |                        | kg         | Length (mm) | Width (mm) | Min. (mm) | Max. (mm) | kg         |
| 10100305SS*  | DF20SS                 | 2,000      | 1,150       | 685        | 75        | 190       | 75         |

\* Available on indent

The DF20SS Stainless Steel Pallet Truck is perfect for use in the food industry or in wet areas. The unique design features hardened and chromium plated piston and ram, along with top of stroke and overload bypass valve. The articulating axle provides easier handling and control on uneven floor surfaces.

- Polyurethane over aluminium steer wheels with double sealed bearings for quiet operation and long life.
- The flow-regulating valve enables controlled speed with or without load.
- Large rubber covered handle with fingertip control.
- Special lowering valve allows control of descent rate.



• The CPT Series Pallet Trucks in bright pink are easily sighted – excellent in high traffic areas such as transport yards and truck loading docks.



• Never exceed the Rated Capacity.

# SPRING BALANCERS

## SPRING BALANCERS & RETRACTORS

**Retractors:** Designed to retreat the cable when no force is applied. An amount of downward pressure is required to keep the suspended object at its extended position.

**Spring Balancers:** Allow the operator to move a suspended tool up or down with minimal effort. The tool remains almost weightless during use. An adjustment can be made that allows the tool to remain in position or to retract when tool is released.

**Ratchet Lock Feature:** An automatic arresting mechanism is available in some models. It allows setting retraction stops to keep the load suspended at predefined positions. The stops are automatically activated if the tool is moved back slowly. If pushed back fast, the mechanism remains inactive.

### Light Duty Kromer Retractors – 7211 & 7212 Series

Pacific Hoists

| Product Code | Model #      | Capacity  | Travel | Ratchet Lock | Net Weight |
|--------------|--------------|-----------|--------|--------------|------------|
|              |              | kg        | m      |              | kg         |
| 02538006     | 7211 – 1 – 8 | 0.5 – 2.0 | 2.5    | No           | 0.8        |
| 02538007     | 7211 – 2 – 8 | 1.5 – 3.0 | 2.5    | No           | 0.8        |
| 02538007RL   | 7212 – 2 – 8 | 1.5 – 3.0 | 2.5    | Yes          | 0.9        |



The use of special plastics for the housing and cable drum combined with a special spring material make these retractors perfect aids at the workbench.

- Housing cover manufactured from sheet steel.
- High strength steel cable.
- Adjustable cable stop buffer.
- Spring hook for tool attachment.
- 7212 model with automatic ratchet lock.
- Manufactured in Germany.



13

MATERIALS HANDLING EQUIPMENT

### Light Duty Kromer Retractors – 5200 & 7200 Series

Pacific Hoists

| Product Code | Model #      | Capacity  | Travel | Ratchet Lock | Net Weight |
|--------------|--------------|-----------|--------|--------------|------------|
|              |              | kg        | m      |              | kg         |
| 02538004     | 5200 – 1     | 0.5 – 1.2 | 2.0    | No           | 0.6        |
| 02538010     | 5200 – 2     | 1.0 – 2.0 | 2.0    | No           | 0.6        |
| 02538025     | 7200 – 1 – 8 | 0.3 – 1.5 | 1.6    | No           | 0.5        |

Light duty retractors suitable for tools weighing up to 2kg.

- Abrasion resistant plastic housing.
- 5200 Series with high strength polyamide cable.
- 7200 Series with high strength steel cable.
- Resilient stop buffer.
- Lightweight spring hook for tool attachment.
- Manufactured in Germany.



- Never exceed the Rated Capacity.
- Always use a secondary support on over-head mounted balancers.

7200 Model



# SPRING BALANCERS

## SPRING BALANCERS & RETRACTORS

### Medium Duty Kromer Retractors – 7221 & 7222 Series

Pacific Hoists

| Product Code | Model #      | Capacity    | Travel | Ratchet Lock | Net Weight |
|--------------|--------------|-------------|--------|--------------|------------|
|              |              | kg          | m      |              | kg         |
| 02538005     | 7221 – 1 – 8 | 2.0 – 5.0   | 3.0    | No           | 3.3        |
| 02538018     | 7221 – 2 – 8 | 4.0 – 8.0   | 3.0    | No           | 3.7        |
| 02538027     | 7221 – 4 – 8 | 10.0 – 14.0 | 3.0    | No           | 3.9        |
| 02538029RL   | 7222 – 33    | 3.0 – 5.0   | 3.0    | Yes          | 3.5        |
| 02538012RL   | 7222 – 2     | 4.0 – 6.0   | 2.0    | Yes          | 3.8        |
| 02538013RL   | 7222 – 3     | 6.0 – 8.0   | 2.0    | Yes          | 3.8        |
| 02538026RL   | 7222 – 4     | 8.0 – 10.0  | 2.0    | Yes          | 4.0        |



These retractors are designed for continuous operation. Their smooth retraction and longer cable reach ensure they meet the exacting needs of everyday use.

- Impact and abrasion resistant plastic housing.
- Housing cover manufactured from sheet steel.
- High strength steel cable.
- Adjustable cable stop buffer.
- Screw type spring hook for tool attachment.
- Safety expansion chain as a separate added fall prevention advice.
- 7222 Series with automatic ratchet lock.
- Manufactured in Germany.



### Medium Duty Kromer Balancer – 7230 & 7231 Series

Pacific Hoists

| Product Code | Model #      | Capacity    | Travel | Ratchet Lock | Net Weight |
|--------------|--------------|-------------|--------|--------------|------------|
|              |              | kg          | m      |              | kg         |
| 02538014     | 7230 – 4 – 8 | 9.0 – 14.0  | 2.0    | No           | 3.4        |
| 02538015     | 7230 – 5     | 13.0 – 17.0 | 2.0    | No           | 3.6        |
| 02538016     | 7230 – 6     | 16.0 – 21.0 | 2.0    | No           | 3.8        |
| 02538014RL   | 7231 – 4     | 9.0 – 14.0  | 2.0    | Yes          | 3.6        |
| 02538015RL   | 7231 – 5     | 13.0 – 17.0 | 2.0    | Yes          | 3.8        |
| 02538016RL   | 7231 – 6     | 16.0 – 21.0 | 2.0    | Yes          | 4.0        |



Lightweight rugged construction designed for constant, everyday use. A proven, reliable piece of equipment which comes into its own in manipulating medium weight loads.

- Impact and abrasion resistant plastic throughout.
- High strength steel cable with length adjustment.
- Adjustable cable stop buffer.
- Swivel type safety hook for tool attachment.
- Safety expansion chain as a separate added fall prevention device.
- 7231 Series with automatic ratchet lock.
- Manufactured in Germany.



- Never exceed the Rated Capacity.
- Always use a secondary support on over-head mounted balancers.

# SPRING BALANCERS

## SPRING BALANCERS & RETRACTORS

Medium Duty, High Load Kromer Balancers – 7235 Series **Pacific Hoists**

| Product Code | Model #  | Capacity    | Travel | Ratchet Lock | Net Weight |
|--------------|----------|-------------|--------|--------------|------------|
|              |          | kg          | m      |              | kg         |
| 02538021     | 7235 – 1 | 15.0 – 25.0 | 2.0    | No           | 7.80       |
| 02538022     | 7235 – 2 | 25.0 – 35.0 | 2.0    | No           | 8.90       |
| 02538023     | 7235 – 3 | 35.0 – 45.0 | 2.0    | No           | 9.50       |
| 02538024     | 7235 – 4 | 45.0 – 55.0 | 2.0    | No           | 9.75       |



An advanced version of the 7230 Series balancers designed for higher load ranges.

- Rigid high strength, sand-cast aluminium housing and cable drum.
- High strength steel cable with length adjustment.
- Adjustable cable stop buffer.
- Swivel type safety hook for tool attachment.
- Safety expansion chain as a separate added fall prevention device.
- Manufactured in Germany.



## Light Duty Aero-Motive® Retractors

**Pacific Hoists**

| Product Code | Model # | Capacity  | Travel | Ratchet Lock | Net Weight |
|--------------|---------|-----------|--------|--------------|------------|
|              |         | kg        | m      |              | kg         |
| 02538205     | RB – 4  | 0.9 – 1.8 | 1.6    | No           | 0.4        |
| 02538210     | RF – 6  | 1.8 – 2.7 | 2.0    | No           | 0.2        |

Pacific's Aero-Motive® Retractors allow workers to move suspended tools or objects up or down with very little effort. These ergonomic retractors reduce operator fatigue and repetitive motion stress. Retractors eliminate pick-up and lay-down wear of tool and prevent accidental tool dropping.

General features include:

- Heavy duty, long life spring for lasting performance.
- Easy tension adjustment with no tools required.
- Full range of motion with 360° swivel hanger.
- Quick installation.
- Alignment of hanger and tool hook for smooth, efficient use.



RB-4 Model

RF-6 Model



### RB-4 Model (02538205)

- Durable nylon cord for long life and reduced maintenance.
- Convenient snap-type tool clip for easy tool handling.

### RF-6 Model (02538210)

- Durable nylon covered steel cable for consistent service and easy maintenance.
- Simplified tool attachment and removal with convenient snap-type tool clip.



- **Never exceed the Rated Capacity.**
- **Always use a secondary support on over-head mounted balancers.**

