



<b>Introduction</b> .....	<b>100</b>
<b>General Information</b> .....	<b>101</b>
Green Pin® Standard Bow .....	<b>102</b>
Green Pin® Standard Dee .....	<b>103</b>
Green Pin® Safety Bow .....	<b>104</b>
Green Pin® Heavy Duty Safety Bow .....	<b>105</b>
Green Pin® Safety Dee .....	<b>106</b>
Green Pin® Wide Body Bow Sling .....	<b>107</b>
Green Pin® Super Safety Bow .....	<b>108</b>
Green Pin® Wide Mouth Safety Bow .....	<b>109</b>
Yellow Pin Standard Bow .....	<b>110</b>
<b>Large Dee Lifting Shackles</b> .....	<b>112</b>
Self Colour Large Dee .....	<b>112</b>
<b>Trawl Shackles</b> .....	<b>113</b>
Green Pin® Bow .....	<b>113</b>
Green Pin® Dee .....	<b>114</b>
Self Colour Dee .....	<b>115</b>
<b>Commercial Shackles</b> .....	<b>116</b>
Hot Dip Galvanised Dee .....	<b>116</b>
Self Colour Large Dee (Mooring) .....	<b>117</b>
<b>Stainless Steel Shackles</b> .....	<b>118</b>
Certified Lifting Dee Shackles .....	<b>118</b>
Certified Lifting Bow Shackles .....	<b>119</b>
Commercial Stainless Steel Shackles .....	<b>120</b>
<b>Care &amp; Use of Shackles</b> .....	<b>123</b>



# INTRODUCTION

02

SHACKLES

Cookes has New Zealand's most comprehensive range of shackles.

## GREEN-PIN ALLOY LIFTING SHACKLES

The preferred choice for industrial lifting applications, offering a high strength to weight ratio and an increased design factor from Working Load Limit to Minimum Breaking Load. Available in common forms such as screw pin or safety bolt bow shackles and screw pin or safety bolt dee shackles. Also available in special application types such as wide body, wide mouth and square head trawling shackles. Fully tested and certified.

## YELLOW PIN ALLOY BOW SHACKLES

An economy alloy shackle option suitable for applications such as towing or 4WD recovery.

## LARGE DEE HIGH TENSILE SHACKLES

The most common shackle sold until the arrival of alloy shackles on the market. They are still preferred by some users, particularly where self-colour shackles are required.

## COMMERCIAL SHACKLES

Untested and uncertified shackles suitable for general purpose, non-lifting, applications only

## STAINLESS STEEL SHACKLES

Grade 316 stainless steel shackles available in tested, stamped and certified dee or bow models for lifting applications, or in commercial type for general purpose, non-lifting applications. The commercial range offers a wide variety of types; captive pin, long, wide or twisted body.

As authorised New Zealand's distributor for the world's leading brands you can be assured of safety and quality every time.



OUR WORLD LEADING PARTNERS...



**COOKES** – helping lift New Zealand business for over 100 years!  
a BRIDON · BEKAERT Ropes Group Brand

# GENERAL INFORMATION

## Applications

Shackles are used in lifting and static systems as removable links to connect wire rope, chain and other fittings. Screw pin shackles are used mainly for non-permanent applications. Safety bolt shackles are used for long-term or permanent applications or where the load may slide on the pin causing rotation of the pin.



## Range

Cookes offers a wide range of bow and dee shackles, depending on the application for which the shackle is going to be used; the stock range stretches from working load limit (WLL) 0.25 tonnes to 120 tonnes. Larger sizes and special application shackles are available on indent.

## Design

Our stock range of GreenPin® shackles designed for lifting applications are stamped with the following marks, to specify the quality & safe use of the shackles:

- Working Load Limit → e.g. WLL 25 T
- Manufacturer's identification symbol → e.g. GP, indicating Green Pin or Bs, indicating Van Beest
- Traceability code → e.g. HA pertaining to a particular batch
- Steel grade → e.g. 4, 6, 8
- CE conformity code → e.g. CE, Conformité Européen

## Finish

Shackles supplied by Cookes can be either hot dipped galvanised or self coloured, depending on the type of shackle and its application.

You can find the finish of each type of shackle listed with the product information.

## Certification

Upon request, load rated shackles can be supplied with a works certificate. For the Van Beest Green Pin® range, other forms of certification can be obtained upon request.



### Offshore Container Use

Green Pin® Standard Shackles are DNV type approved to certification Note 2.7-1, lifting sets for offshore containers.



• Never exceed manufacturer's Working Load Limit



• Commercial (uncertified) shackles must never be used in lifting applications.

# ALLOY LIFTING SHACKLES

02

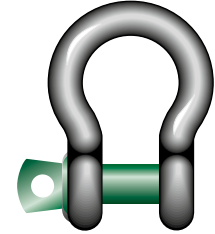
SHACKLES

## GREEN PIN® STANDARD BOW

Green Pin® Standard Bow Shackles – Screw Collar Pin



Product Code	WLL	Dimensions (mm)										Weight
	t	a	b	c	d	e	f	g	h	i	j	kg
02325006	0.33	5	6	12	5	9.5	22	16	36	29.5	26	0.02
02325008	0.50	7	8	16.5	7	12	29	20	48.5	38	34	0.05
02325009	0.75	9	10	20	9	13.5	32	22	56	46.5	40	0.10
02325011	1.00	10	11	22.5	10	17	36.5	26	63.5	54	46	0.14
02325013	1.50	11	13	26.5	11	19	43	29	74	59.5	51	0.19
02325016	2.00	13.5	16	34	13	22	51	32	89	73	58	0.36
02325019	3.25	16	19	40	16	27	64	43	110	89	75	0.63
02325022	4.75	19	22	46	19	31	76	51	129	103	89	1.01
02325026	6.50	22	25	52	22	36	83	58	144	119	102	1.50
02325028	8.50	25	28	59	25	43	95	68	164	137	118	2.21
02325032	9.50	28	32	66	28	47	108	75	185	153	131	3.16
02325035	12.00	32	35	72	32	51	115	83	201	170	147	4.31
02325038	13.50	35	38	80	35	57	133	92	227	186	162	5.55
02325042	17.00	38	42	88	38	60	146	99	249	203	175	7.43
02325051	25.00	45	50	103	45	74	178	126	300	243	216	12.84
02325057	35.00	50	57	111	50	83	197	138	331	272	238	18.15
02325065	42.50	57	65	130	57	95	222	160	377	310	274	26.29
02325070*	55.00	65	70	145	65	105	260	180	433	344	310	37.60



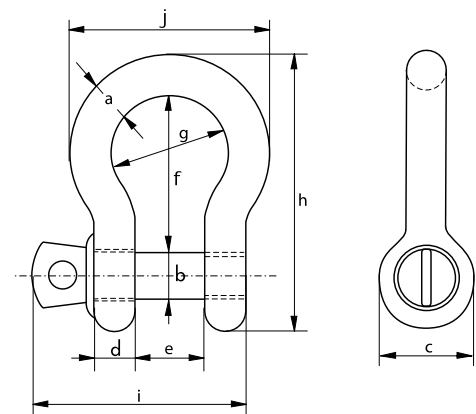
Van Beest  
Item #: G-4161



\* Available on indent.

- Material:** Bow and pin high tensile steel, Grade 6, quenched and tempered.
- Design factor:** 6:1
- Standard:** EN 13889 & meets performance requirements of US Fed. Spec. RR-C-271 Type IVA Class 2, Grade A.
- Finish:** Hot dip galvanised.
- Temp Range:** -20°C up to +200°C

- Tested and certified.
- Manufactured in The Netherlands.



• For details on dimensions and tolerances please consult Green Pin® CAD drawings, which are available on request.



• Cookes recommends using high quality Green Pin® shackles for safety and assurance in all industrial lifting applications.



• Never exceed manufacturer's Working Load Limit (WLL).

# ALLOY LIFTING SHACKLES

## GREEN PIN® STANDARD DEE

Green Pin® Standard Dee Shackles – Screw Collar Pin



Product Code	WLL	Dimensions (mm)								Weight
	t	a	b	c	d	e	f	g	h	kg
02326006	0.33	5	6	12	5	9.5	19	33	29.5	0.02
02326008	0.50	7	8	16.5	7	12	22	41.5	38	0.05
02326009	0.75	9	10	20	9	13.5	26	50	46.5	0.09
02326011	1.00	10	11	22.5	10	17	32	59	54	0.14
02326013	1.50	11	13	26.5	11	19	37	68	59.5	0.19
02326016	2.00	13.5	16	34	13	22	43	81	73	0.32
02326019	3.25	16	19	40	16	27	51	97	89	0.54
02326022	4.75	19	22	46	19	31	59	112	103	0.87
02326026	6.50	22	25	52	22	36	73	134	119	1.34
02326028	8.50	25	28	59	25	43	85	154	137	2.08
02326032	9.50	28	32	66	28	47	90	167	153	2.77
02326035	12.00	32	35	72	32	51	94	180	170	3.72
02326038	13.50	35	38	80	35	57	115	209	186	5.14
02326042	17.00	38	42	88	38	60	127	230	203	6.85
02326051	25.00	45	50	103	45	74	149	271	243	11.45
02326057*	35.00	50	57	111	50	83	171	305	272	16.86
02326065*	42.50	57	65	130	57	95	190	345	310	24.61
02326070*	55.00	65	70	145	65	105	203	376	344	32.65



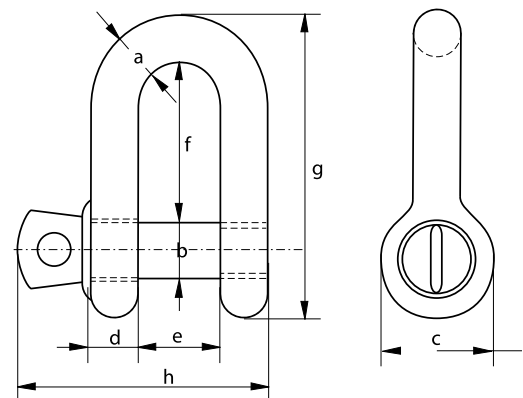
Van Beest  
Item #: G-4151



\* Available on indent.

- Material:** Bow and pin high tensile steel, Grade 6, quenched and tempered.
- Design factor:** 6:1
- Standard:** EN 13889 & meets performance requirements of US Fed. Spec. RR-C-271 Type IVB Class 2, Grade A.
- Finish:** Hot dip galvanised.
- Temp Range:** -20°C up to +200°C
- Certification:** At no extra charges product can be supplied with a works certificate.

- Tested and certified.
- Manufactured in The Netherlands.



• For details on dimensions and tolerances please consult Green Pin® CAD drawings, which are available on request.



• Cookes recommends using high quality Green Pin® shackles for safety and assurance in all industrial lifting applications.



• Never exceed manufacturer's Working Load Limit (WLL).

# ALLOY LIFTING SHACKLES

02

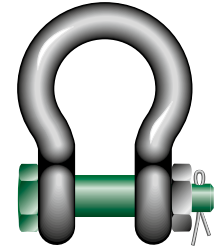
SHACKLES

## GREEN PIN® SAFETY BOW

Green Pin® Standard Bow Shackles – Safety Bolt



Product Code	WLL	Dimensions (mm)											Weight
	t	a	b	c	d	e	f	g	h	i	j	k	kg
02329013	1.50	11	13	26.5	11	19	43	29	74	67	51	11	0.22
02329016	2.00	13.5	16	34	13	22	51	32	89	82	58	13	0.42
02329019	3.25	16	19	40	16	27	64	43	110	98	75	17	0.74
02329022	4.75	19	22	46	19	31	76	51	129	114	89	19	1.18
02329026	6.50	22	25	52	22	36	83	58	144	130	102	22	1.77
02329029	8.50	25	28	59	25	43	95	68	164	150	118	25	2.58
02329032	9.50	28	32	66	28	47	108	75	185	166	131	27	3.66
02329035	12.00	32	35	72	32	51	115	83	201	178	147	30	4.91
02329038	13.50	35	38	80	35	57	133	92	227	197	162	33	6.54
02329042	17.00	38	42	88	38	60	146	99	249	202	175	19	8.19
02329051	25.00	45	50	103	45	74	178	126	300	249	216	23	14.22
02329057	35.00	50	57	111	50	83	197	138	331	269	238	26	19.85
02329065	42.50	57	65	130	57	95	222	160	377	301	274	29	28.33
02329070	55.00	65	70	145	65	105	260	180	433	330	310	32	39.59
02329080	85.00	75	83	162	73	127	329	190	527	380	340	39	62.00

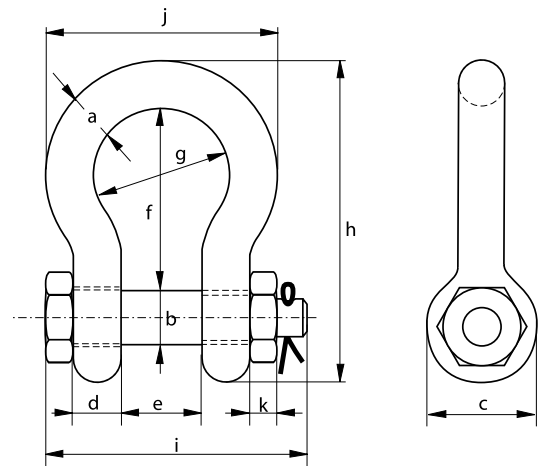


Van Beest  
Item #: G-4163



- Material:** Bow and pin high tensile steel, Grade 6, quenched and tempered.
- Design factor:** 6:1
- Standard:** EN 13889 & meets performance requirements of US Fed. Spec. RR-C-271 Type IVA Class 3, Grade A.
- Finish:** Hot dip galvanised.
- Temp Range:** -20°C up to +200°C

- Tested and certified.
- Manufactured in The Netherlands.



• For details on dimensions and tolerances please consult Green Pin® CAD drawings, which are available on request.



• Cookes recommends using high quality Green Pin® shackles for safety and assurance in all industrial lifting applications.



• Never exceed manufacturer's Working Load Limit (WLL).

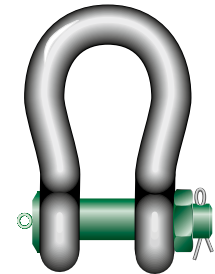
# ALLOY LIFTING SHACKLES

## GREEN PIN® HEAVY DUTY SAFETY BOW

Green Pin® Heavy Duty Bow Shackles – Safety Bolt



Product Code	WLL	Dimensions (mm)											Weight
	t	a	b	c	d	e	f	g	h	i	j	k	kg
02329095	120	95	95	208	91	147	400	238	647	440	428	50	110
02329096*	150	105	108	238	102	169	410	275	688	490	485	60	160
02329097*	200	120	130	279	113	179	513	290	838	520	530	60	235
02329098*	250	130	140	299	118	205	554	305	904	560	565	65	285
02329099*	300	140	150	325	123	205	618	305	996	575	585	70	340
02329100*	400	170	175	376	164	231	668	325	1,114	690	665	70	560
02329101*	500	180	185	398	164	256	718	350	1,190	720	710	70	685
02329102*	600	200	205	444	189	282	718	375	1,243	810	775	70	880
02329103*	700	210	215	454	204	308	718	400	1,263	870	820	70	980
02329104*	800	210	220	464	204	308	718	400	1,270	870	820	70	1,100
02329105*	900	220	230	485	215	328	718	420	1,296	920	860	70	1,280
02329106*	1,000	240	240	515	215	349	718	420	1,336	940	900	70	1,460
02329107*	1,250	260	270	585	230	369	768	450	1,456	1,025	970	70	1,990
02329108*	1,500	280	290	625	230	369	818	450	1,556	1,025	1,010	70	2,400



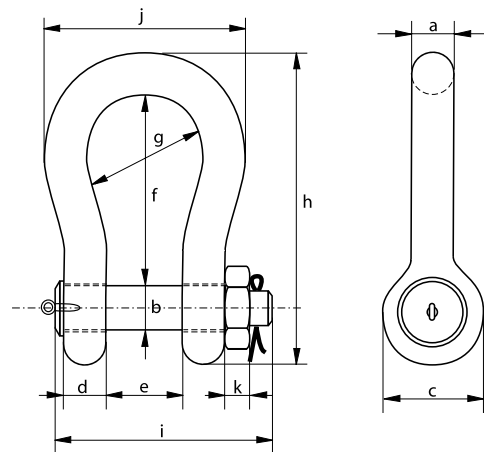
Van Beest  
Item #: P-6036



\* Available on indent.

- Material:** Bow and pin high tensile steel, Grade 8, quenched and tempered.
- Design factor:** 5:1
- Finish:** Shackle bow painted silver, pin painted green (120 tonne shackle is hot dip galvanised).
- Certification:** All shackles from 150 tonne are supplied with a Lloyd's Register of Shipping Certificate on proof load.

- Manufactured in The Netherlands.



? • For details on dimensions and tolerances please consult Green Pin® CAD drawings, which are available on request.

i • Cookes recommends using high quality Green Pin® shackles for safety and assurance in all industrial lifting applications.

! • Never exceed manufacturer's Working Load Limit (WLL).



# ALLOY LIFTING SHACKLES

02

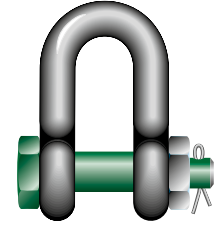
SHACKLES

## GREEN PIN® SAFETY DEE

Green Pin® Standard Dee Shackles – Safety Bolt



Product Code	WLL	Dimensions (mm)									Weight
	t	a	b	c	d	e	f	g	h	i	kg
02329316	2.00	13.5	16	34	13	22	43	81	82	13	0.39
02329319	3.25	16	19	40	16	27	51	97	98	17	0.67
02329322	4.75	19	22	46	19	31	59	112	114	19	1.08
02329325	6.50	22	25	52	22	36	73	134	130	22	1.66
02329328	8.50	25	28	59	25	43	85	154	150	25	2.46
02329332	9.50	28	32	66	28	47	90	167	166	27	3.4
02329335	12.00	32	35	72	32	51	94	180	178	30	4.51
02329338	13.50	35	38	80	35	57	115	209	197	33	6.10
02329342	17.00	38	42	88	38	60	127	230	202	19	7.63
02329350*	25.00	45	50	103	45	74	149	271	249	23	12.88
02329357*	35.00	50	57	111	50	83	171	305	269	26	17.35
02329365*	42.50	57	65	130	57	95	190	345	301	29	25.94
02329370*	55.00	65	70	145	65	105	203	376	330	32	35.33
02329383*	85.00	75	83	162	73	127	229	427	380	39	52.97



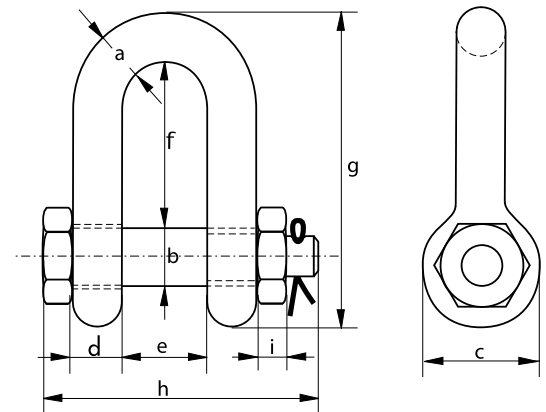
Van Beest  
Item #: G-4153



\* Available on indent.

- Material:** Bow and pin high tensile steel, Grade 6, quenched and tempered.
- Design factor:** 6:1
- Standard:** EN 13889 & meets performance requirements of US Fed. Spec. RR-C-271 Type IVB Class 3, Grade A.
- Finish:** Hot dip galvanised.
- Temp Range:** -20°C up to +200°C
- Certification:** At no extra charges product can be supplied with a works certificate.

- Tested and certified.
- Manufactured in The Netherlands.



• For details on dimensions and tolerances please consult Green Pin® CAD drawings, which are available on request.



• Cookes recommends using high quality Green Pin® shackles for safety and assurance in all industrial lifting applications.



• Never exceed manufacturer's Working Load Limit (WLL).

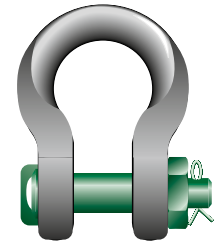
# ALLOY LIFTING SHACKLES

## GREEN PIN® WIDE BODY BOW SLING

Green Pin® Wide Body Bow Sling Shackles – Safety Bolt



Product Code	WLL	Dimensions (mm)													Weight
	t	a	b	c	d	e	f	g	h	i	j	k	l	kg	
02398035*	18	35	35	69	30	54	148	102	239	171	180	29	64	7	
02398042*	30	40	42	90	35	69	165	126	279	207	200	34	79	13	
02398051*	40	55	51	109	45	84	199	140	331	252	235	38	97	21	
02398057*	55	60	57	115	55	90	240	160	389	294	270	45	100	30	
02398070*	75	68	70	125	54	110	290	185	473	327	317	54	120	48	
02398080*	125	85	80	154	85	137	366	220	583	426	390	64	150	92	
02398081*	150	94	95	179	89	147	391	253	645	435	434	50	170	140	
02398082*	200	110	105	199	100	158	481	280	759	470	482	50	205	205	
02398083*	250	126	120	227	110	179	542	300	859	519	530	60	240	264	
02398084*	300	135	134	245	122	195	601	350	947	575	620	70	265	360	
02398085*	400	160	160	293	145	231	576	370	985	675	690	80	320	580	
02398086*	500	170	180	328	160	263	681	450	1,131	748	790	90	339	780	
02398087*	600	190	200	348	170	289	741	490	1,234	809	865	100	370	980	
02398088*	700	200	215	392	190	315	751	540	1,284	879	901	100	400	1,360	
02398089*	800	218	230	420	200	342	851	554	1,426	942	947	110	420	1,430	
02398090*	900	242	255	466	220	368	851	580	1,488	1,023	1,023	120	440	1,650	
02398091*	1,000	260	270	490	240	399	851	614	1,532	1,103	1,107	120	460	2,970	
02398092*	1,250	285	300	510	260	452	931	650	1,666	1,227	1,182	150	530	3,700	
02398093*	1,550	285	320	550	280	483	950	680	1,710	1,300	1,253	150	560	4,000	



Van Beest  
Item #: P-6033

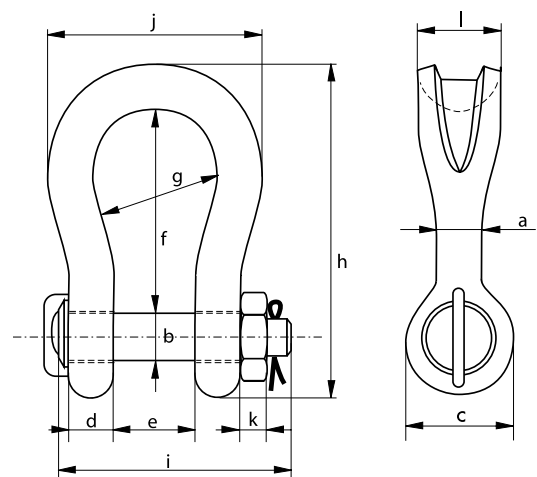


\* Available on indent.

Wide Body Sling Shackles are designed for use with large slings to provide an improved radius for the wire rope.

- Material:** Bow and pin high tensile steel, Grade 8, quenched and tempered.
- Design factor:** 5:1
- Finish:** Shackle bow painted silver, pin painted green.
- Certification:** This product can be supplied with a works certificate, 3.1 material certificate, manufacturer test certificate, EC declaration of Conformity and all shackles from 75t and up are supplied with a Lloyd's Register of Shipping Certificate on proof load.

- Manufactured in The Netherlands.



• For details on dimensions and tolerances please consult Green Pin® CAD drawings, which are available on request.

• Never exceed manufacturer's Working Load Limit (WLL).

# ALLOY LIFTING SHACKLES

02

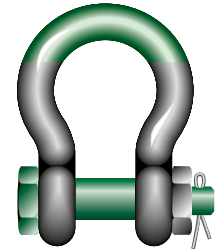
SHACKLES

## GREEN PIN® SUPER SAFETY BOW

Green Pin® High WLL Bow Shackles – Safety Bolt



Product Code	WLL	Dimensions (mm)											Weight
	t	a	b	c	d	e	f	g	h	i	j	k	kg
02330016*	3.3	13.5	16	34	13	22	51	32	89	82	58	13	0.44
02330019*	5.0	16	19	40	16	27	64	43	110	98	75	17	0.79
02330022*	7.0	19	22	46	19	31	76	51	129	114	89	19	1.26
02330026*	9.5	22	25	52	22	36	83	58	144	130	102	22	1.88
02330028*	12.5	25	28	59	25	43	95	68	164	150	118	25	2.78
02330032*	15.0	28	32	66	28	47	108	75	185	166	131	27	3.87
02330035*	18.0	32	35	72	32	51	115	83	201	178	147	30	5.26
02330038*	21.0	35	38	80	35	57	133	92	227	197	162	33	6.94
02330042*	30.0	38	42	88	38	60	146	99	249	202	175	19	8.79
02330051*	40.0	45	50	103	45	74	178	126	300	249	216	23	15.00
02330057*	55.0	57	57	117	57	83	197	138	341	286	252	26	22.00
02330070*	85.0	70	70	143	70	105	260	180	437	344	320	32	42.00
02330083*	120.0	83	83	162	83	127	329	190	535	403	356	40	70.00
02330095*	150.0	95	95	208	91	147	400	238	647	511	428	50	112.00
02330108*	175.0	105	108	238	102	169	410	275	688	561	485	60	160.00



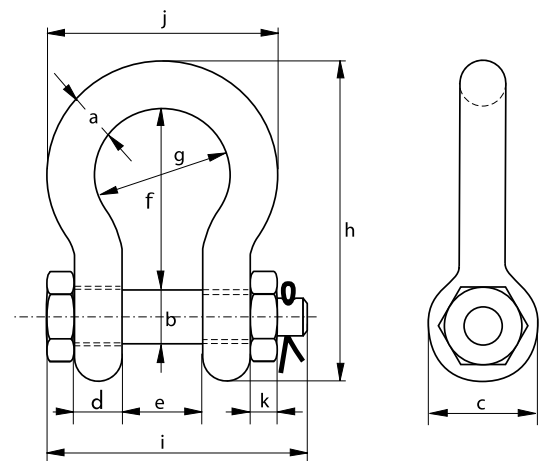
Van Beest  
Item #: G-5263



\* Available on indent. Items 02330095 & 02330108 with round-headed bolt.

A safety bow shackle in Grade 8 material offering a higher WLL than Grade 6 alloy shackles.

- Material:** Bow and pin high tensile steel, Grade 8, quenched and tempered.
- Design factor:** 5:1
- Standard:** meets performance requirements of US Fed. Spec. RR-C-271 Type IVA Class 3, Grade B.
- Finish:** hot dipped galvanized (175 ton shackle is painted).
- Temp. Range:** -20°C up to + 200°C
- Certification:** at no extra charges this product can be supplied with works certificate, shackles starting from 150 tons are supplied with a Lloyd's Register of Shipping Certificate on proof load.



- Manufactured in The Netherlands.



• Green Pin® Super Shackles are up to 50% stronger than standard shackles of the same size.  
• For details on dimensions and tolerances please consult Green Pin® CAD drawings, which are available on request.



• Never exceed manufacturer's Working Load Limit (WLL).

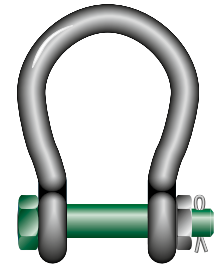
# ALLOY LIFTING SHACKLES

## GREEN PIN® WIDE MOUTH SAFETY BOW

Green Pin® Bow Shackles – Safety Bolt



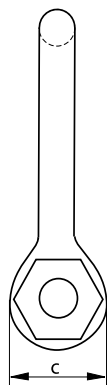
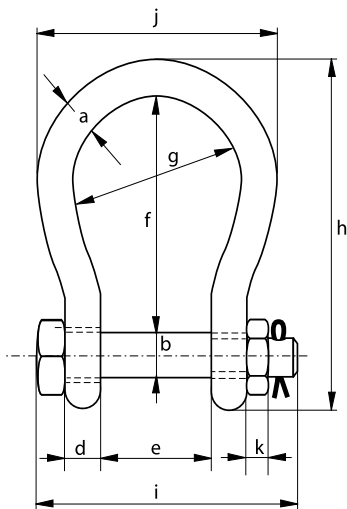
Product Code	WLL	Dimensions (mm)											Weight
	t	a	b	c	d	e	f	g	h	i	j	k	kg
02329425*	4.75	22	25	52	22	63	112	88	173	157	132	23	2.08
02329428*	6.50	25	28	59	25	75	135	105	204	182	155	25	3.14
02329432*	8.50	28	32	66	28	82	148	115	225	201	171	28	4.36
02329435*	9.50	32	35	72	32	90	162	126	248	217	190	31	5.95
02329438*	12.00	35	38	79	35	100	180	140	274	240	210	34	7.87
02329442*	16.00	38	42	88	38	106	216	159	319	248	235	19	12.50
02329450*	25.00	45	50	103	45	127	248	175	370	296	265	24	18.00
02329457*	30.00	50	57	118	50	146	273	207	411	338	307	27	25.00
02329470*	55.00	65	70	145	65	165	314	213	487	389	343	33	45.00
02329483*	75.00	75	83	166	75	184	330	254	530	432	404	40	70.00



Van Beest  
Item #: G-4263



\* Available on indent.



- Material:** Bow and pin high tensile steel, Grade 8, quenched and tempered.
- Design factor:** 6:1
- Temp. Range:** -20°C up to +200°C
- Finish:** Hot dipped galvanised.
- Certification:** This product can be supplied with a works certificate.

- Tested & Certified.
- Manufactured in The Netherlands.

• For details on dimensions and tolerances please consult Green Pin® CAD drawings, which are available on request.

• Never exceed manufacturer's Working Load Limit (WLL).

# ALLOY LIFTING SHACKLES

02

SHACKLES

## YELLOW PIN STANDARD BOW

Yellow Pin Standard Bow Shackles – Screw Collar Pin

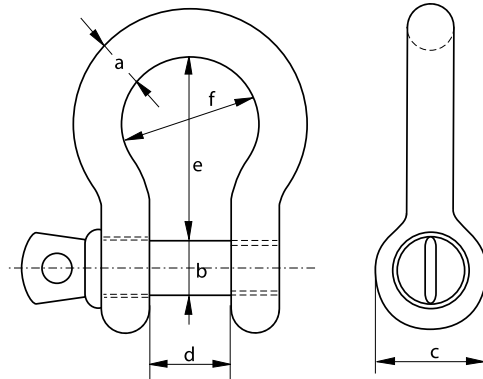
Product Code	WLL	Dimensions (mm)						Weight
	t	a	b	c	d	e	f	kg
02325506	0.33	5	6	14	9.5	22	15	0.03
02325508	0.50	6	8	16	12	29	20	0.05
02325509	0.75	8	10	19	13.5	31	21	0.09
02325511	1.00	10	11	23	17	37	26	0.14
02325513	1.50	11	13	27	19	43	29	0.20
02325516	2.00	13	16	30	20	48	33	0.33
02325519	3.20	16	19	38	27	60	43	0.62
02325522	4.70	19	22	46	32	71	50	1.07
02325526	6.50	22	25	53	36	84	58	1.64
02325528	8.50	25	28	61	43	95	68	2.28
02325532	9.50	28	32	68	46	108	74	3.36
02325535	12.00	32	35	76	51	119	82	4.31
02325538	13.50	35	38	84	57	133	92	6.14



An economy alloy bow shackle manufactured to Australian Standard specifications.

**Material:** High tensile steel, Grade 6.  
**Design factor:** 6:1  
**Standard:** AS 2741  
**Finish:** Hot dip galvanised.

- Test certificates available.
- Manufactured in China.



• Cookes recommends using GreenPin® shackles for safety and assurance in high-use industrial lifting applications.



• Never exceed manufacturer's Working Load Limit (WLL).

# ALLOY LIFTING SHACKLES

## CROSBY SHACKLE RANGE



As the authorised New Zealand distributor for the Crosby Group, the full range of Crosby shackles is available on indent.

Refer to your local **Cookes** branch for specifications and data sheets.



## YOKE SHACKLE RANGE



As the authorised New Zealand distributor for Yoke Industrial, the full range of Yoke Shackles is available on indent.

Refer to your local **Cookes** branch for specifications and data sheets.



# LARGE DEE LIFTING SHACKLES

02

SHACKLES

## SELF COLOUR LARGE DEE

Self Colour Large Dee Shackles – Screw Collar Pin



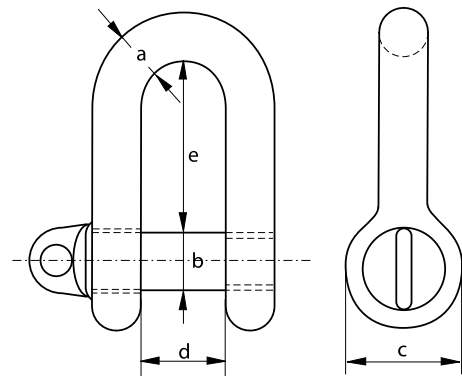
Product Code	WLL	Dimensions (mm)					Weight
	t	a	b	c	d	e	kg
02301109	0.25	6	10	19	13	25	0.11
02301113	0.50	10	13	25	19	38	0.17
02301116	0.75	13	16	32	28	54	0.35
02301119	1.50	16	19	38	32	64	0.66
02301122	2.00	19	22	44	38	73	1.02
02301126	3.00	22	25	51	44	83	1.57
02301129	3.75	25	28	57	51	95	2.30
02301132	5.00	28	32	64	54	105	3.20
02301135	6.00	32	35	70	60	114	4.30
02301138	7.00	35	38	76	67	127	5.40
02301144	9.50	38	45	83	70	137	6.80
02301148	11.25	42	48	89	76	146	8.70
02301151	13.00	44	51	95	83	156	11.00



Van Beest  
Item #: S-2751

**Material:** Bow and pin EN14a carbon manganese steel.  
**Design factor:** 4:1  
**Standard:** Generally to B.S. 3032 table 2.  
**Finish:** Self colour (black).

- Test certificated available.
- Quality checked and certified by Van Beest in The Netherlands.
- Manufactured in China.



• Cookes recommends using GreenPin® shackles for safety and assurance in high-use industrial lifting applications.



• Never exceed manufacturer's Working Load Limit (WLL).

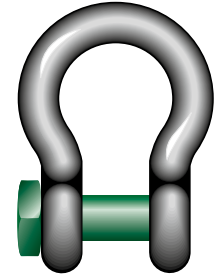
# TRAWL SHACKLES

## GREEN PIN® BOW

Green Pin® Trawling Bow – Square Head Screw Pin



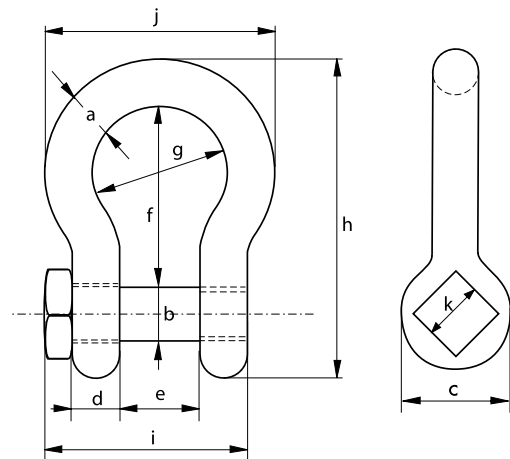
Product Code	WLL	Dimensions (mm)											Weight
	t	a	b	c	d	e	f	g	h	i	j	k	kg
02314322	4.75	19	22	46	19	31	76	51	129	82	89	32	1.00
02314326	6.50	22	25	52	22	36	83	58	144	93	102	32	1.44
02314328	8.50	25	28	59	25	43	95	68	164	108	118	36	2.21
02314332	9.50	28	32	66	28	47	108	75	185	120	131	41	3.18
02314335	12.00	32	35	72	32	51	115	83	201	137	147	50	4.32
02314338	13.50	35	38	80	35	57	133	92	227	149	162	50	5.67
02314342	17.00	38	42	88	38	60	146	99	249	164	175	60	7.36
02314351	25.00	45	50	103	45	74	178	126	300	192	216	60	12.38



Van Beest  
Item #: G-4164



- Material:** Bow and pin high tensile steel, Grade 6, quenched and tempered.
- Design factor:** 6:1
- Standard:** EN 13889 & meets performance requirements of US Fed. Spec. RR-C-271, Grade A.
- Finish:** Hot dip galvanised.
- Certification available.
  - Manufactured in The Netherlands.



• Never exceed manufacturer's Working Load Limit (WLL).



# TRAWL SHACKLES

02

SHACKLES

## GREEN PIN® DEE

Green Pin® Trawling Dee – Square Head Screw Pin



Product Code	WLL	Dimensions (mm)									Weight kg
	t	a	b	c	d	e	f	g	h	i	
02314216	2.00	13.5	16	34	13	22	43	81	57.5	22	0.32
02314219	3.25	16	19	40	16	27	51	97	71	27	0.58
02314222	4.75	19	22	46	19	31	59	112	82	32	0.92
02314225	6.50	22	25	52	22	36	73	134	93	32	1.33
02314228	8.50	25	28	59	25	43	85	154	108	36	2.03
02314232	9.50	28	32	66	28	47	90	167	120	41	2.88
02314235	12.00	32	35	72	32	51	94	180	137	50	3.96
02314238	13.50	35	38	80	35	57	115	209	149	50	5.24
02314242	17.00	38	42	88	38	60	127	230	164	60	6.80

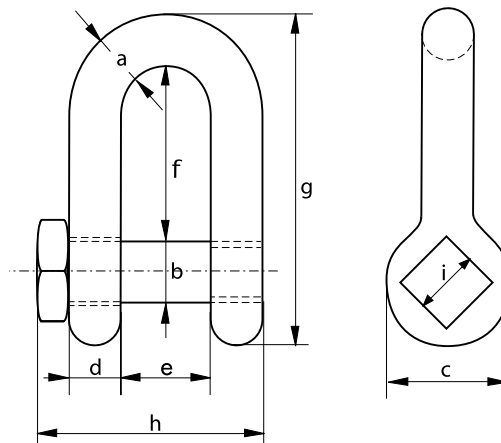


Van Beest  
Item #: G-4154



**Material:** Bow and pin high tensile steel, Grade 6, quenched and tempered.  
**Design factor:** 6:1  
**Standard:** EN 13889 & meets performance requirements of US Fed. Spec. RR-C-271, Grade A.  
**Finish:** Hot dip galvanised.

- Certification available.
- Manufactured in The Netherlands.



• Never exceed manufacturer's Working Load Limit (WLL).

# TRAWL SHACKLES

## SELF COLOUR DEE

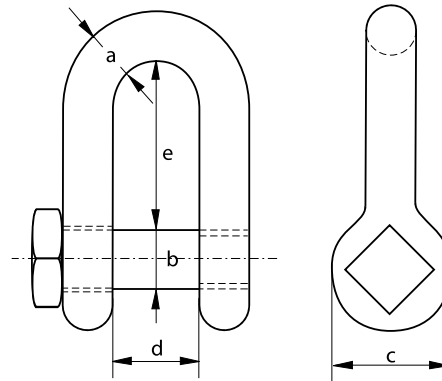
### Self Colour Dee Trawl Shackles – Square Head Screw Pin

Product Code	Dimensions (mm)					Weight
	a	b	c	d	e	kg
02314009	10	10	20	20	40	0.12
02314013	12	12	24	24	48	0.21
02314016	16	16	32	32	64	0.49
02314019	19	19	38	38	76	0.96
02314022	22	22	44	44	88	1.28
02314026	25	25	50	50	100	1.88
02314028	28	28	56	56	112	2.65



**Material:** Mild steel, untreated, Grade 30  
**Finish:** Self colour (black).

- Manufactured in China.



• Commercial grade trawl shackles must not be used for lifting applications.

# COMMERCIAL SHACKLES

02

SHACKLES

## HOT DIP GALVANISED DEE

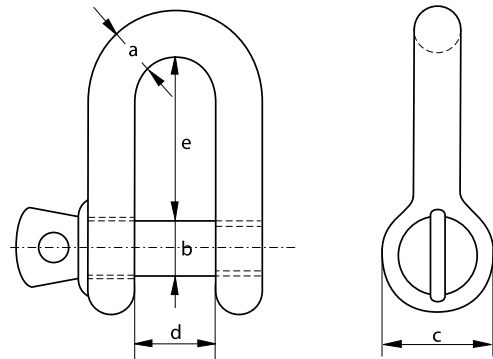
### Hot Dip Galvanised Dee Shackles – Screw Pin

Product Code	Dimensions (mm)					Weight
	a	b	c	d	e	100pcs/kg
02300005	5	5	10	10	20	1.47
02300006	6	6	12	12	24	2.56
02300008	8	8	16	16	32	6.06
02300009	10	10	20	20	40	11.80
02300013	12	12	24	24	48	20.50
02300016	16	16	32	32	64	48.50
02300019	19	19	38	38	76	94.70
02300022	22	22	44	44	88	126.00
02300026	25	25	50	50	100	185.00



Commercial grade untested dee shackles are the perfect connection between chains and ropes in non-load bearing applications.

- Mild steel, Grade 30.
- Hot dip galvanised finish.
- Commercial quality (uncertified).
- Manufactured in China.



- Commercial shackle dimensions may vary.
- Check with your local Cookes branch if dimensions are critical for intended application.



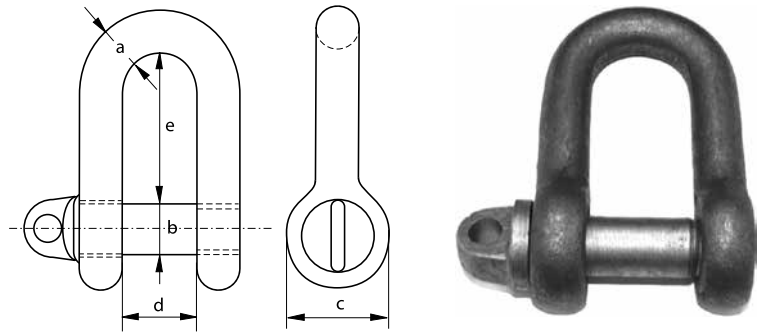
- Commercial grade dee shackles must not be used for lifting applications.

# COMMERCIAL SHACKLES

## SELF COLOUR LARGE DEE (MOORING)

### Self Colour Large Dee Shackles – Screw Pin

Product Code	Dimensions (mm)					Weight kg
	a	b	c	d	e	
02298016	16	16	32	32	64	0.48
02298019	19	19	38	38	76	0.95
02298022	22	22	44	44	88	1.26
02298026	25	25	50	50	100	1.85
02298029	28	28	56	56	112	2.60
02298032	32	32	64	64	128	3.68
02298035	35	35	70	70	140	5.00
02298038	38	38	76	76	152	6.50



Self colour mild steel large dee shackles are predominantly used in swing mooring applications for self colour chain connections.

- Mild steel, Grade 30.
- Self colour finish.
- Commercial quality (uncertified).
- Manufactured in China.



• Commercial shackle dimensions may vary.  
 • Check with your local Cookes branch if dimensions are critical for intended application.



• Commercial grade dee shackles must not be used for industrial lifting applications.

# STAINLESS STEEL SHACKLES

02

SHACKLES

## CERTIFIED LIFTING DEE SHACKLES

Stainless Steel Screw Pin Dee Shackles

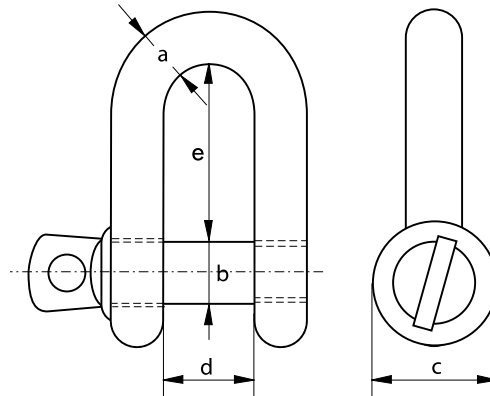


Product Code	WLL	Dimensions (mm)					Weight
	t	a	b	c	d	e	100pcs/kg
02321006	0.15	6	6	12	12	24	2.4
02321008	0.3	8	8	16	16	32	5.6
02321010	0.4	10	10	20	20	40	13.0
02321012	0.6	12	12	24	24	48	20.0
02321016	1.0	16	16	32	32	64	48.0
02321019	1.5	20	20	40	40	80	84.0
02321022	2.0	22	22	44	44	88	127.0



Van Beest  
Item #: R-7821

- AISI316 Material.
- Tested and certified.
- 6:1 Design factor.
- Marked with WLL.
- Manufactured in The Netherlands.



• Cookes recommend corrosion resistant Van Beest Stainless Steel Shackles for industrial lifting applications.



• Never exceed manufacturer's Working Load Limit (WLL).

# STAINLESS STEEL SHACKLES

## CERTIFIED LIFTING BOW SHACKLES

### Stainless Steel Safety Pin Bow Shackles

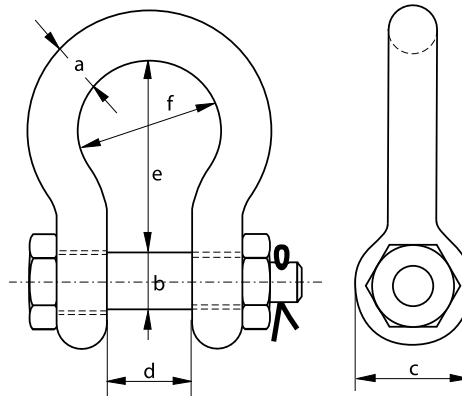


Product Code	WLL	Dimensions (mm)						Weight
	t	a	b	c	d	e	f	100pcs/kg
02324008	0.3	8	8	16	16	32	24	7.2
02324010	0.4	10	10	19	20	40	30	13.4
02324012	0.6	12	12	24	25	49	36	23.0
02324016	1.0	16	16	31	32	64	48	56.6
02324019	1.5	19	19	38	38	80	60	95.2
02324022	2.0	22	22	43	44	85	66	146.0
02324025	3.0	25	25	49	50	100	75	218.0



Van Beest  
Item #: R-7827

- AISI316 Material.
- Tested and certified.
- 6:1 Design factor.
- Marked with WLL.
- Manufactured in The Netherlands.



• Cookes recommend corrosion resistant Van Beest Stainless Steel Shackles for industrial lifting applications.



• Never exceed manufacturer's Working Load Limit (WLL).

# STAINLESS STEEL SHACKLES

02

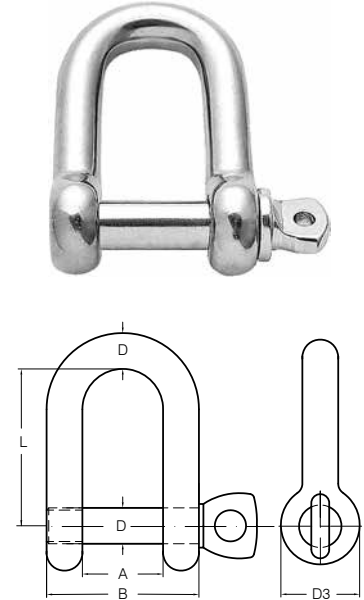
SHACKLES

## COMMERCIAL STAINLESS STEEL SHACKLES

### Forged Dee Shackles – Screw Pin

Product Code	MWL*	Dimensions (mm)			
	kg	D	A	B	L
09568405	232	5	10	20	20
09568406	337	6	12	24	24
09568408	605	8	16	32	32
09568410	952	10	20	40	40
09568412	1,401	12	24	48	48
09568416	2,492	16	32	64	64
09568420	3,472	19	38	76	76
09568422	4,712	22	44	88	88
09568425	5,709	25	50	100	100

- AISI316 Stainless Steel material.
- Polished finish.
- Design factor 4:1 MWL to MBL.
- Manufactured in China.

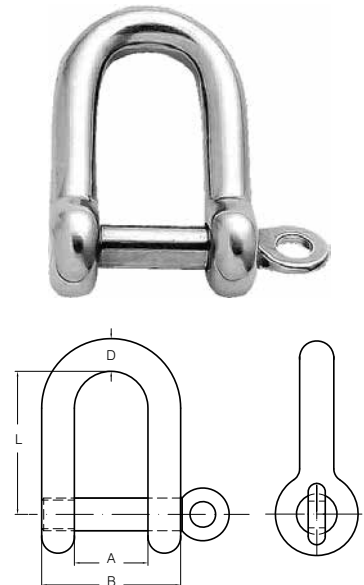


### Forged Dee Shackles – Captive Screw Pin

Product Code	MWL*	Dimensions (mm)			
	kg	D	A	B	L
09568485	232	5	10	20	20
09568486	337	6	12	24	24
09568488	605	8	16	32	32
09568490	952	10	20	40	40
09568492	1,401	12	24	48	48

Captive Screw Pin ensures pin stays engaged and cannot be lost.

- AISI316 Stainless Steel material.
- Polished finish.
- Design factor 4:1 MWL to MBL.
- Manufactured in China.



\* The Maximum Working Load (MWL) is shown only to provide guidance in selecting a shackle with sufficient strength for the intended application.



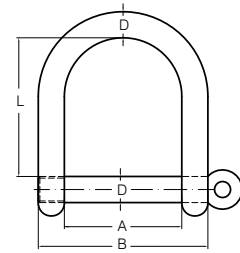
• Commercial grade stainless steel shackles must not be used for lifting applications. Stainless steel dee shackles suitable for lifting applications are detailed on page 118.

# STAINLESS STEEL SHACKLES

## COMMERCIAL STAINLESS STEEL SHACKLES

### Wide Body Forged Dee Shackles – Captive Screw Pin

Product Code	MWL*	Dimensions (mm)			
	kg	D	A	L	R
09568465	232	5	25	22	35
09568466	337	6	24	33	36
09568468	605	8	28	32	44
09568470	952	10	40	55	60
09568472	1,401	12	50	66	74

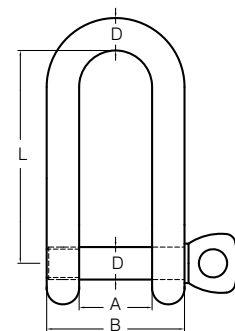
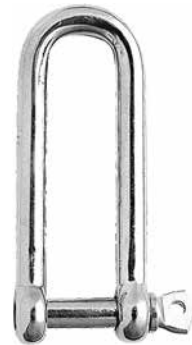


Captive Screw Pin ensures pin stays engaged and cannot be lost.

- AISI316 Stainless Steel material.
- Polished finish.
- Design factor 4:1 MWL to MBL.
- Manufactured in China.

### Long Body Forged Dee Shackles – Screw Pin

Product Code	MWL*	Dimensions (mm)			
	kg	D	A	B	L
09568475	232	5	10	20	40
09568476	337	6	12	24	48
09568478	605	8	16	32	64
09568480	952	10	20	40	80
09568482	1,401	12	24	48	96



- AISI316 Stainless Steel material.
- Polished finish.
- Design factor 4:1 MWL to MBL.
- Manufactured in China.

\* The Maximum Working Load (MWL) is shown only to provide guidance in selecting a shackle with sufficient strength for the intended application.



• Commercial grade stainless steel shackles must not be used for lifting applications. Stainless steel dee shackles suitable for lifting applications are detailed on page 118.



# STAINLESS STEEL SHACKLES

02

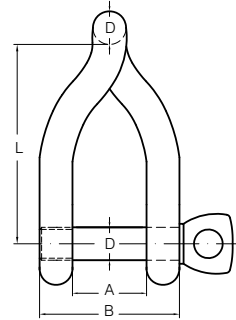
SHACKLES

## COMMERCIAL STAINLESS STEEL SHACKLES

### Twisted Body Forged Shackles – Screw Pin

Product Code	MWL*	Dimensions (mm)			
	kg	D	A	B	L
09568427	232	5	10	20	30
09568428	337	6	12	24	36
09568429	605	8	16	32	48
09568430	952	10	20	40	60
09568431	1,401	12	24	48	72

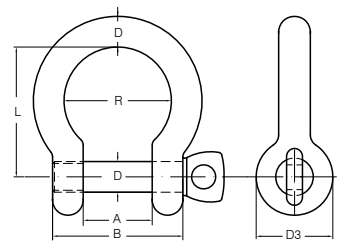
- AISI316 Stainless Steel material.
- Polished finish.
- Design factor 4:1 MWL to MBL.
- Manufactured in China.



### Forged Bow Shackles – Screw Pin

Product Code	MWL*	Dimensions (mm)			
	kg	D	A	L	R
09568445	232	5	10	20	17
09568446	337	6	12	24	21
09568448	605	8	16	32	28
09568450	952	10	20	40	35
09568452	1,401	12	24	48	42

- AISI316 Stainless Steel material.
- Polished finish.
- Design factor 4:1 MWL to MBL.
- Manufactured in China.



\* The Maximum Working Load (MWL) is shown only to provide guidance in selecting a shackle with sufficient strength for the intended application.



• Commercial grade stainless steel shackles must not be used for lifting applications. Stainless steel bow shackles suitable for lifting applications are detailed on page 119.

# CARE & USE OF SHACKLES

## Inspection

Shackles should be inspected before use to ensure that:

- all markings are legible;
- the body and pin are both identifiable as being of the same size, type and make;
- the threads of the pin and the body are undamaged;
- the body and the pin are not distorted or unduly worn;
- the body and pin are free from nicks, gouges, cracks and corrosion;
- shackles have not been heat treated.



It is required that the shackles are regularly inspected as they may be affected by wear, misuse, overloading etc. with a consequence of deformation and alteration of the material structure. Inspection should take place at least every 12 months and more frequently when the shackles are used in severe operating conditions.

## Never

- Use a safety bolt type shackle without using a security pin.
- Immerse a shackle in acidic solutions or expose to acid fumes or other chemicals that are potentially harmful to the shackle. Please be aware that these types of chemicals are used in certain production processes.
- Modify, repair or reshape a shackle by machining, welding, heating or bending as this will affect the working load limit.
- Use a commercial (uncertified) shackle for lifting applications.
- Replace a shackle pin except with one of the same size, type and make.

## Selection

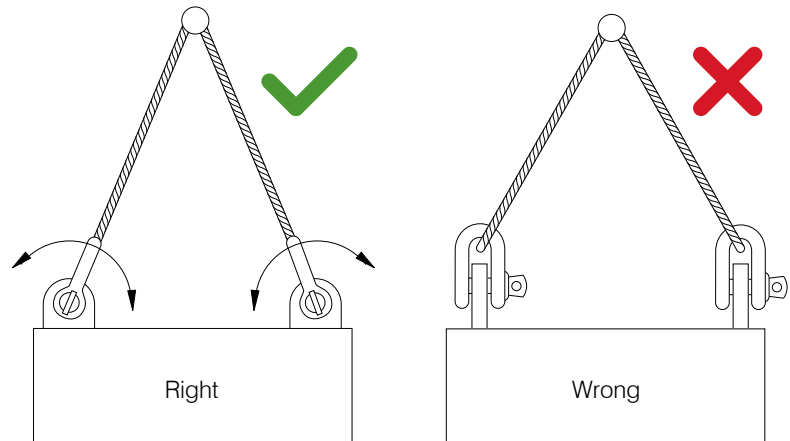
Select the correct type of shackle and its working load limit for the particular application. Should extreme circumstances or shock loading be applicable, this must be well taken into account on selecting the correct shackle.

## Assembly

Ensure that the pin is correctly screwed into the shackle eye, i.e. tighten hand-tight, then secure using a wrench or other suitable tool so that the collar of the pin is fully seated on the shackle eye. Ensure that the pin is of the correct length so that it penetrates the full depth of the screwed eye and allows the collar of the pin to seat on the surface of the shackle eye.

Incorrect seating of the pin may be due to a bent pin, too tight fitting thread or misalignment of the pin holes. Do not use the shackle under these circumstances.

Make sure that the shackle is supporting the load correctly, i.e. along the axis of the shackle body centreline, avoid introduction of bending loads or unstable loads. Do not overload.



- Never exceed manufacturer's Working Load Limit
- Commercial (uncertified) shackles must never be used in lifting applications.

# CARE & USE OF SHACKLES

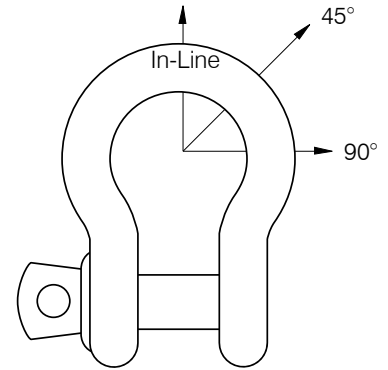
02

SHACKLES

## Side loads

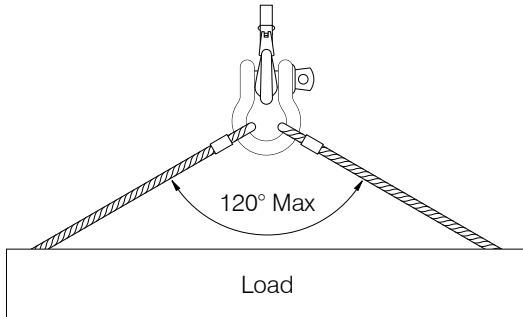
Side loads should be avoided wherever possible. If side loads cannot be avoided, the following reduction factors must be taken into account:

Load angle	Reduction for side loading New Working Load Limit
0°	100% of original Working Load Limit
45°	70% of original Working Load Limit
90°	50% of original Working Load Limit



In-line loading is considered to be a load perpendicular to the pin and in the plane of the bow. Load angles in the table are the deviating angles from the in-line loads.

When using shackles to connect multi-leg slings, due consideration should be given to the effect of the angle between the legs of the sling. As the angle increases, so does the load in the sling leg and consequently in any shackle attached to that leg.

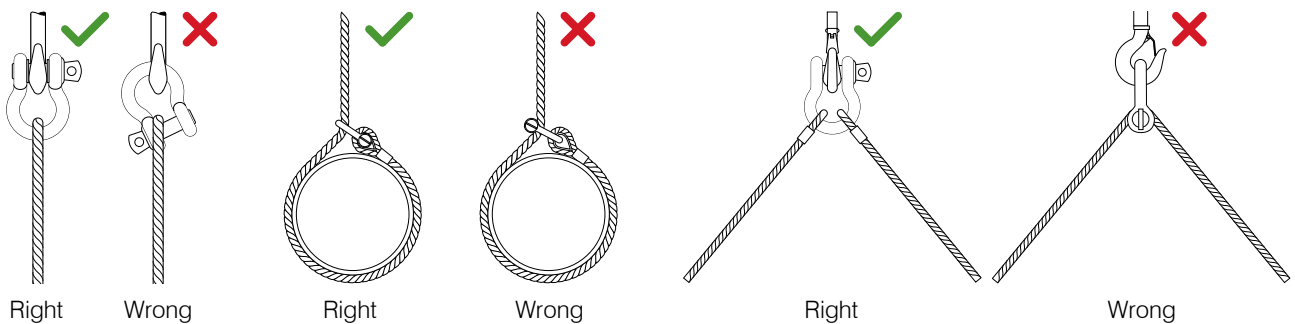


When a shackle is used to connect two slings to the hook of a lifting device, a bow type shackle must be assembled with the slings in the shackle body and the hook engaged with the shackle pin. The angle between the slings should not exceed 120°. If symmetrically loaded the shackle may be used to the full WLL.

To avoid eccentric loading of the shackle a loose spacer may be used on either end of the shackle pin. Do not reduce the width between the shackle jaws by welding washers or spacers to the inside faces of the eyes or by closing the jaws, as this will affect the properties of the shackle.

When a shackle is used to secure the top block of a set of wire rope blocks, the load on this shackle is increased by the value of the hoisting effect.

Avoid applications where due to movement (e.g. of the load or the rope) the shackle pin can rotate and possibly be unscrewed. If such an application is necessary or when the shackle is to be left in place for a prolonged period or where maximum pin security is required, use a shackle with a safety bolt, nut and cotter pin.



- Never exceed manufacturer's Working Load Limit
- Commercial (uncertified) shackles must never be used in lifting applications.

# CARE & USE OF SHACKLES

## Point loading

Most of the time the load bearing component that is in connection with a shackle is of a rounded shape. Point loading of shackles is allowed but the minimum diameter of a rounded component should be equal or bigger than the bow size of the shackle being used.

Bigger diameters and/or flat parts (at shackle pin side) to increase contact area can be beneficial. Sharp edges should be avoided.

## Temperature

If extreme temperature situations are applicable, the following load reduction must be taken into account:

Temperature	Reduction for elevated temperatures New Working Load Limit
< 200°C	100% of original Working Load Limit
200-300°C	90% of original Working Load Limit
300-400°C	75% of original Working Load Limit
> 400°C	not allowed



## Exceptionally hazardous conditions

The rating of shackles to EN 13889 assumes the absence of exceptionally hazardous conditions. Exceptionally hazardous conditions include offshore activities, the lifting of persons and the lifting of potentially dangerous loads such as molten metals, corrosive materials or fissile materials. In such cases a competent person should assess the degree of hazard and the safe working load (SWL) should be reduced accordingly from the working load limit (WLL).

Information provided courtesy of Van Beest B.V, The Netherlands.



• For a special report on the use of shackles with round slings, refer page 153.



- Never exceed manufacturer's Working Load Limit
- Commercial (uncertified) shackles must never be used in lifting applications.