



WINCHES

Manual Operation Winches	372
Hand Brake Winches	372
General Purpose Hand Winches	377
Tugger Lever Winches	378
Boat Trailer Winches	379
Electric Winches	380
Utility Winches	380
Single Phase 240V Winches	381
Three Phase 415V Winches	383
Single Phase 240V Capstan Winch	384
Hoisting Winches	385
Recovery Winches	386
Hydraulic Winches	387
Hydraulic Recovery Winches	387
Care & Use Of Winches	388
Care & Safe Use of Winches	388
Care & Safe Use of Tugger Winches	389
Winch Operated Crane	390
Telescopic Jib Crane	390
Winch Ropes & Straps	392
Wire Ropes, Dynamica Ropes & Webbing Straps	392
Hooks for Winch Ropes & Straps	393
Hooks for Boat Winch Ropes & Straps	394

MANUAL OPERATION WINCHES

HAND BRAKE WINCHES

Hand Brake Winches – Powder Coated

Pacific Hoists

Product Code	Model No.	Rated Capacity (kg)		Gear Ratio	Wire Rope Ø	Storage Cap.	Net Weight
		Pulling	Lifting		mm	m	kg
10059535	BHW – 0800	370	180	4.1 : 1	4	36	3.0
10059545	BHW – 1200	545	270	4.1 : 1	5	23	3.3
10059681	BHW – 1800	820	410	5.0 : 1	6	24	8.0
10059745	BHW – 2600	1,200	600	10.0 : 1	8	16	10.3

Complies with AS1418.2 where correctly fitted with approved wire rope and fittings. High quality multi-purpose winches suitable for wire rope or webbing straps.

Automatic 'Weston-Style' load-actuated brake can hold the load in any position. Compact, lightweight and rugged construction with very low operator effort required for easy handling.

Winch features include:

- Gears and brakes fully covered to prevent dust, dirt and rain contamination.
- Strong removable handles.
- Finished in high quality powder coated paint finish.
- Heat-treated pinion gears.
- Universal mounting plate.
- Supplied without rope.
- Manufactured in Taiwan.

Full specifications and dimensional drawings on following pages.



11

WINCHES

Noiseless Hand Brake Winches – Powder Coated

Pacific Hoists

Product Code	Model No.	Rated Capacity (kg)		Gear Ratio	Wire Rope Ø	Storage Cap.	Net Weight
		Pulling	Lifting		mm	m	kg
10059545Q	BHW – 1200-N	545	270	4.1 : 1	5	23	3.3

Equipped with a patented quiet brake design that is virtually silent and fully automatic. Perfect for locations where quiet is required such as hospitals, theatres and schools.

- Gears and brakes fully covered to prevent dust, dirt & rain contamination.
- Strong removable handles.
- Finished in high quality powder coated paint finish.
- Heat-treated pinion gears.
- Universal mounting plate.
- Supplied without rope.
- Manufactured in Taiwan.

Full specifications and dimensional drawings on following pages.



- Never use a winch for supporting or transporting people or for loads over areas where people could be.
- Never walk or work under a load or in the line of force of any load.
- Never exceed the Rated Capacity of a winch or winch component.

MANUAL OPERATION WINCHES

HAND BRAKE WINCHES

Corrosion Protected Hand Brake Winches – Stainless Steel



Product Code	Model No.	Rated Capacity (kg)		Gear Ratio	Wire Rope Ø	Storage Cap.	Net Weight
		Pulling	Lifting		mm	m	kg
10059545S	BHW – 1200S	545	270	4.1 : 1	5	23	3.3
10059681S	BHW – 1800S	820	410	5.0 : 1	6	24	8.0
10059745S	BHW – 2600S	1,200	600	10.0 : 1	8	16	10.3

These winches are protected to give long-term reliability.

- Superior corrosion resistance.
- Protection in the most severe conditions.
- Supplied without rope.
- Manufactured in Taiwan.

Full specifications and dimensional drawings on following pages.



Industrial Ratchet Hand Brake Winches – Powder Coated



Product Code	Model No.	Rated Capacity (kg)		Gear Ratio	Wire Rope Ø	Storage Cap.	Net Weight
		Pulling	Lifting		mm	m	kg
10059735	SF – 2200	1,700	850	22.2 : 1	8	32	13.5

A key feature of this winch is the ratchet-style handle design which permits handle movement in both directions for lifting and lowering loads.

Ratchet handle accommodates installation in cramped locations such as a wall or floor.

- Positive 'Weston-Style' load-actuated brake can hold the load in any position.
- Gears and brakes are fully covered to prevent dust, dirt & rain contamination.
- High precision construction minimises gear noise.
- Finished in high quality powder coated paint finish.
- Very low operator effort is required for easy operation.
- Supplied without rope.
- Manufactured in Taiwan.

Full specifications and dimensional drawings on following pages.



- Never use a winch for supporting or transporting people or for loads over areas where people could be.
- Never walk or work under a load or in the line of force of any load.
- Never exceed the Rated Capacity of a winch or winch component.

MANUAL OPERATION WINCHES

HAND BRAKE WINCH SPECIFICATIONS

Hand Brake Winches

Pacific Hoists

Model	BHW – 0800	BHW – 1200 *	BHW – 1800	BHW – 2600	SF – 2200
Product Code	10059535	10059545	10059681	10059745	10059735
Pulling Capacity (kg)	370	545	820	1200	1700
Lifting Capacity	180	270	410	600	850
Hand Force Required (kg)	14.5	15	22	19	16
Standard Finish	Powder Coated	Powder Coated	Powder Coated	Powder Coated	Powder Coated
Gear Ratio	4.1 : 1	4.1 : 1	5.0 : 1	10.0 : 1	22.2 : 1
Handle Length (mm)	160	210	320	320	300
Hub Diameter (mm)	Ø40	Ø50	Ø70	Ø80	Ø60
Cable Diameter (mm x m)	Ø4.1 x 36	Ø4.8 x 23	Ø6.4 x 24	Ø8.0 x 18	Ø8.0 x 35
Net. Weight (kg)	3.0	3.3	8.0	10.3	13.5
Kylan Finish Available	Yes	Yes	Yes	Yes	No
Stainless Steel Available	No	Yes	Yes	Yes	No
Noiseless Available	No	Yes	No	No	No

* Also covers noiseless model BHW-1200N (Product Code 10059545Q).

General specifications also cover stainless steel models:

- BHW-1200S (Product Code 10059545S)
- BHW-1800S (Product Code 10059681S)
- BHW-2600S (Product Code 10059745S)



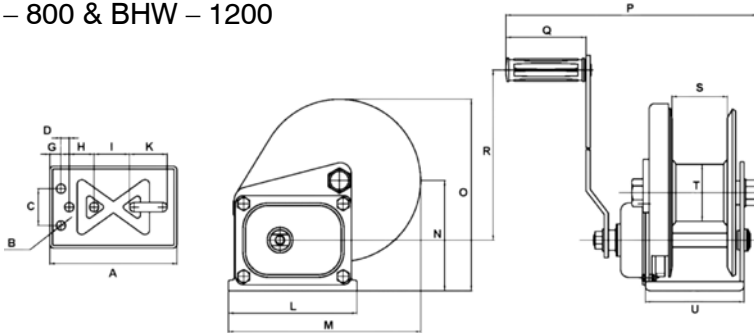
- Never use a winch for supporting or transporting people or for loads over areas where people could be.
- Never walk or work under a load or in the line of force of any load.
- Never exceed the Rated Capacity of a winch or winch component.

MANUAL OPERATION WINCHES

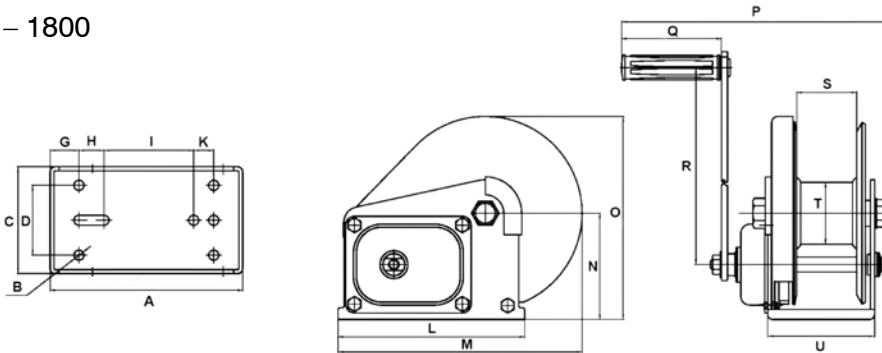
HAND BRAKE WINCH DIMENSIONAL DRAWINGS

Refer dimensions on following page.

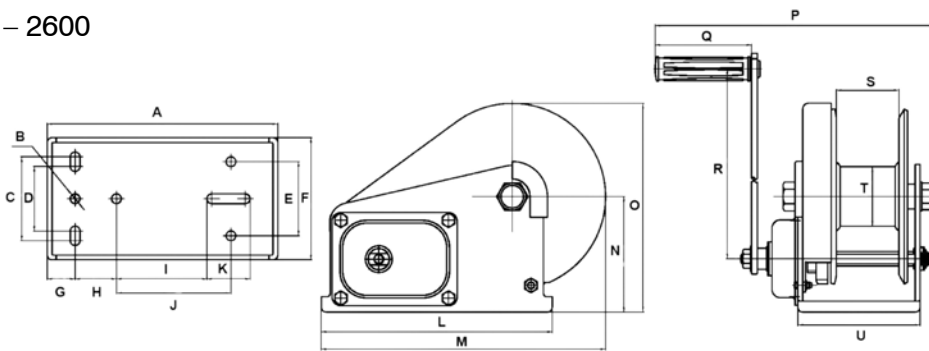
BHW – 800 & BHW – 1200



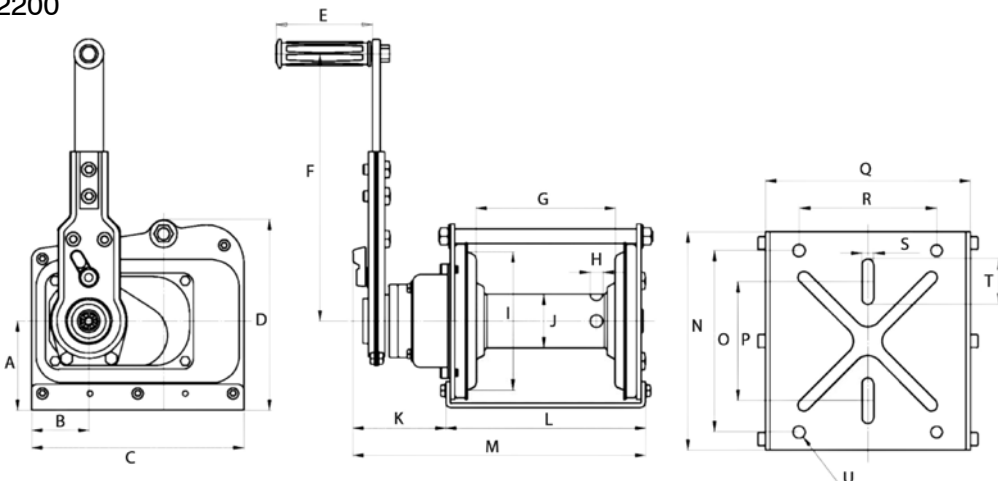
BHW – 1800



BHW – 2600



SF – 2200



MANUAL OPERATION WINCHES

HAND BRAKE WINCH DIMENSIONS

Refer to previous page for respective drawings of each model.

Hand Brake Winches – Dimensions

Pacific Hoists

Model	BHW – 0800	BHW – 1200	BHW – 1800	BHW – 2600	SF – 2200
Product Code	10059535	10059545	10059681	10059745	10059735
A (mm)	138	138	193	240	100
B (mm)	4 – Ø10	4 – Ø10	Ø10	Ø10	64.3
C (mm)	40	40	107	87	238
D (mm)	9	9	70	67	214
E (mm)	—	—	—	77	108
F (mm)	—	—	—	127	300
G (mm)	12	12	29	29	156
H (mm)	27	27	25	43	Ø16
I (mm)	38.5	38.5	90	94	Ø155
J (mm)	—	—	—	119	Ø60
K (mm)	41	41	20	45	118
L (mm)	138	138	187	240	224
M (mm)	190	190	245	295	342
N (mm)	85	85	106.5	120	238
O (mm)	160	160	204	217	198
P (mm)	275	275	285	300	130
Q (mm)	108	108	108	108	224
R (mm)	160	210	320	320	150
S (mm)	55	52	60	65	13
T (mm)	Ø40	Ø50	Ø70	Ø82	50
U (mm)	89	89	107	127	4 – Ø13



- The information shown is to be used as a guide only. Specifications are subject to change without notice.
- All materials handling or lifting jobs should be assessed individually.

MANUAL OPERATION WINCHES

GENERAL PURPOSE HAND WINCHES

Worm Drive Hand Brake Winch – Pulling / Lifting

Pacific Hoists

Product Code	Model No.	Rated Capacity (kg)		Gear Ratio	Wire Rope Ø	Storage Cap.	Net Weight
		Pulling	Lifting		mm	m	kg
10059546	HW-1500	680	340	41 : 1	6.0	23	5.0

A general purpose worm drive winch. The worm gear automatically retains the load when cranking is stopped, avoiding the risk of the winch free-wheeling.

- Winch is operated by cranking clock-wise.
- Load remains suspended when crank is released.
- Load is lowered by cranking handle counter-clockwise.
- Heat treated gears with minimal noise in operation.
- Strong, removable 195mm handle.
- Lift Per Crank Rotation: 7.5mm
- Very low operator effort required.
- Universal mounting plate.
- Baked enamel finish for corrosion protection.
- Manufactured in Taiwan.



- Do not use this winch for lifting people or for lifting things over areas where people may stand or pass by.
- Do not lift any load when the rope is completely unrolled. Make sure that there are three complete rope turns on the drum.
- The winch must not be kept under continuous loading.
- Never exceed the Rated Capacity of a winch or winch component.

Corrosion Protected Hand Winches – Pulling

Pacific Hoists

Product Code	Model No.	Rated Capacity	Gear Ratio	Handle Length	Cable Diameter	Net Weight
		Pulling (kg)		mm	mm x m	kg
10059560	HW600K	280	3.1 : 1	175	Ø4.0 x 30	2.26
10059561	HW1200K	550	4.1 : 1	210	Ø5.0 x 20	2.84

These general purpose hand winches are compact, lightweight and a cost effective solution for a variety of applications. Supplied with marine-coated corrosion resistant finish.

- Compact, lightweight and rugged construction.
- Mechanical components enclosed for protection and safety.
- Rope to drum fixing clamp provided.
- High precision construction minimises gear noise.
- Heat treated gears.
- Strong removable handle.
- Kylan coated for excellent corrosion protection.
- Manufactured in Taiwan.



- These winches are designed for pulling applications only.
- Never exceed the Rated Capacity of a winch or winch component.

MANUAL OPERATION WINCHES

TUGGER LEVER WINCHES

Cookes Wire Rope Lever Winches



Product Code	Rated Capacity	Design Factor		Wire Rope		Net Weight
	kg	Wire Rope	Static Load	Ø (mm)	Length (m)	kg
10048080	800	5 : 1	4 : 1	8.3	20	6
10048160	1,600	5 : 1	4 : 1	11.0	20	11
10048320	3,200	5 : 1	4 : 1	16.0	20	22

The **Cookes** Wire Rope 'Tugger Winches' are lever operated hand winches offering light weight, strong performance and substantial operating life with the added advantages of lower operator effort and less rope wear. They are designed to be operated by one person to perform tasks such as lifting, pulling and general movement of loads. With the addition of load sheaves the load can be multiplied accordingly.

Small, compact and light weight, the **Cookes** 'Tugger Winch' can be easily transported and used for many applications including construction sites, pipe laying, movement and positioning of machinery, large switchboards and storage tanks, laying of tracks and sleepers, installation of masts and towers, loading & unloading of heavy and bulky goods for transportation, cable tensioning, demolition, many rural applications and of course as a necessary part of all 4WD recovery kits.



11

WINCHES

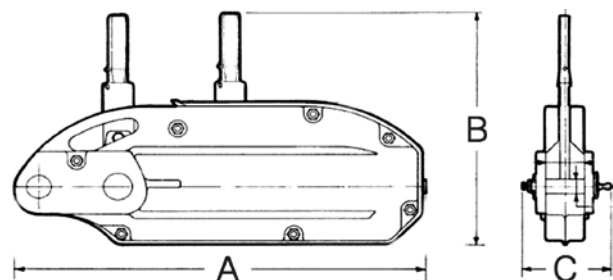
Spare Parts – Tugger Winches

Number	Description
1	Suspension Hook
2	Rope Outlet
3	Safety Pin
4	Feed Control Lever
5	Carry Handle
6	Telescopic Operating Handle
7	Reverse Lever
8	Latch Lever
9	Rope Inlet
10	Wire Rope Including Hook
11	Reel
12	Base Stand

Dimensions – Tugger Winches



Capacity (kg)	800	1,600	3,200
Product Code	10048080	10048160	10048320
A (mm)	328	328	458
B (mm)	232	232	316
C (mm)	367	367	505



Note: Information shown is to be used as a guide only. Specifications are subject to change without notice.

- Compact, Lightweight & Versatile – Extremely versatile to safely lift, pull, lower or stretch loads over long distances. It can be used in horizontal, vertical or angled working positions. Comes with a high strength alloy housing with durable chrome finish to protect against rust. All internal components galvanised. The rope gripping system is easily disengaged, allowing smooth installation of the wire rope. Built in overload protection by a shear pin arrangement in the forward lever. Broken shear pins can be replaced without removing the load.



- Never use a winch for supporting or transporting people or for loads over areas where people could be.
- Never exceed the Rated Capacity of a winch or winch component.

BOAT TRAILER WINCHES

BOAT TRAILER WINCHES

Hand Operated Boat Trailer Winches



Product Code	Manufacturer Item No.	Gear Ratio	Maximum Pull	To Suit	Finish
			kg		
02046011	CPW 1	1 : 1	260	Small Craft	Zinc Plated
02046031	CPW 3	3 : 1	450	Small Boats < 14ft	Zinc Plated
02046051	CPW 5	5 : 1	750	Craft 14ft – 19ft	Zinc Plated
02046101	CPW 10	5 : 1 and 10 : 1	1,150	Larger Craft	Zinc Plated
02046151	CPW 15	15 : 1	1,650	Larger Craft	Zinc Plated

- All units supplied with handle.
- Manufactured in New Zealand.



Electric Boat Trailer Winch



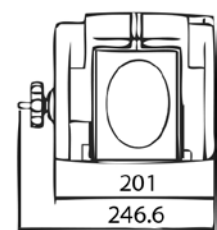
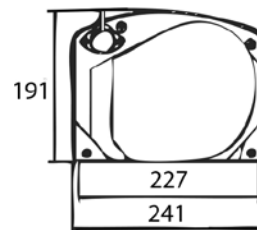
Product Code	Pacific Item No.	Voltage	Boat Weight	Line Pull	Rolling Load	Line Speed	Wire Rope	Net Weight
		V	kg	kg	kg	m / min	Ømm / m	kg
10059068	DW1500i	12 or 24	< 2,268	680	2,268	1.8	5.5 x 9.1	15

Top Gear DW1500i Boat Trailer Winch features a powerful electric motor and is suitable for a wide variety of applications including light duty vehicle recovery, general farm use, boat launching and retrieving as well as for multiple purpose trailer uses.

Suitable for boats up to 18ft (5.5m) and with a maximum weight of 2,268kg.

Features include:

- Powerful permanent magnet motor.
- High impact weather resistant plastic housing for extra durability.
- Manual free spool for rapid wire rope payout.
- Circuit breaker motor protection prevents overload.
- Crank handle supplied for emergency winching.
- Remote control (3m), ball adapter plate and power supply lead included.
- Manufactured in Taiwan.



• Winch wires or straps can be manufactured in-house – refer to your nearest Cookes branch.

• Boat trailer winches are not designed for lifting applications.
 • Never walk in the line of force of any load.
 • Never exceed the Maximum Line Pull of a boat trailer winch.

ELECTRIC WINCHES

UTILITY WINCHES

Comeup Utility Duty Winches – DV Series

Pacific Hoists

Product Code		Comeup Item No.	Line Pull	Line Speed	Motor Rating	Wire Rope	Drum Size	Gear Ratio	Weight
12 Volt	24 Volt		kg	m / min	watt / hp	Ømm x m	mm xmm		kg
10059095	n.a.	DV2500i	1,134	5.0	600 / 0.8	5 x 15.2	54 / 83	170 : 1	13.5
10059100	10059105	DV4500i	2,041	6.5	1,200 / 1.6	6 x 15.2	54 / 83	170 : 1	14.2

The Utility Duty Winch series (DV2500i – DV4500i) are designed to be used as a trailer winch; providing a line pull of up to 2,000kg.

They are dexterous, easy to install and the high torque permanent magnet motor delivers high line pull at lower amp draw. Automatic load-holding mechanical failsafe brake ensures strength and reliability.

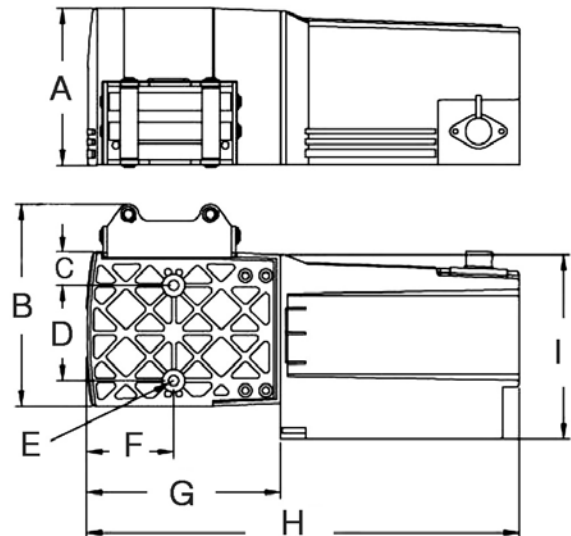


Standard features include:

- Power in and power out.
- Galvanised wire rope 7 x 19.
- Tough weather resistant housing with integrated solenoid pack.
- Built-in mechanical safety braking device.
- Sliding pin and ring gear clutch for rapid wire rope payout.
- Remote control with 3m cable.
- Compact and lightweight.
- Roller Fairlead as standard.
- Manufactured in Taiwan.

DV Series Dimensions

Line Pull (kg)	1,134	2,041	2,041
Model	DV2500i	DV4500i – 12V	DV4500i – 24V
Product Code	10059095	10059100	10059105
A (mm)	153	153	153
B (mm)	197	197	197
C (mm)	32	32	32
D (mm)	93	93	93
E (mm)	2 – 10	2 – 10	2 – 10
F (mm)	86	86	86
G (mm)	190	190	190
H (mm)	423	423	423
I (mm)	180	180	180



- The information shown is to be used as a guide only. Specifications are subject to change without notice.
- All materials handling or lifting jobs should be assessed individually.



- Never use a winch for supporting or transporting people or for loads over areas where people could be.
- Never walk or work under a load or in the line of force of any load.
- Never exceed the Rated Capacity of a winch or winch component.

ELECTRIC WINCHES

SINGLE PHASE 240V WINCHES

Comeup Electric Winches – CP Series

Pacific Hoists

Product Code	Model No.	Rated Capacity	Lifting Speed	Max Lift Height	Wire Rope Ø	Storage Cap.	Net Weight
		kg	m / min	m	mm	m	kg
10059200	CP200	200	10 – 15	29	6	30	32
10059250	CP250	250	10 – 15	29	6	30	34
10059300	CP300	300	10 – 15	29	6	30	38
10059500	CP500*	500	10 – 15	58	7	60	55

* Also available in 3 phase model CP500T (Product Code 10059500T).

Comeup Single Phase 240V Electric Winches are precision engineered and available in lifting capacities from 200kg to 500kg to suit a wide range of applications.



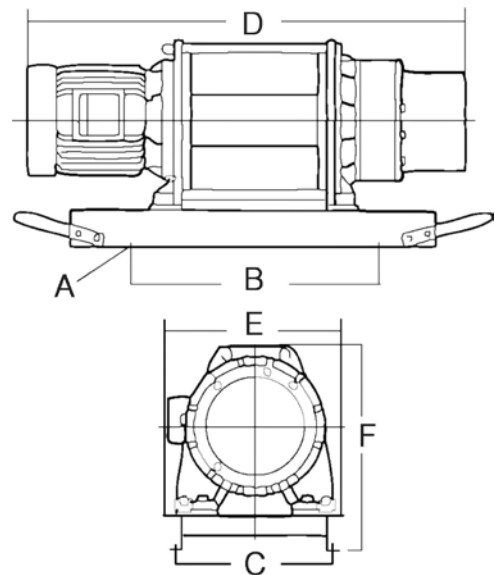
This low maintenance, high performance electric winch range is constructed from heavy duty materials and features include:

- Lightweight, compact design for easy installation and portable use.
- Electromagnetic spring-applied failsafe brake designed for both static and dynamic loading which applies automatically in event of power loss.
- IP65 pendant control. 24V push button control.
- Compact load sharing design of the heat-treated planetary gear which ensures quiet operation and long life.
- Emergency stop function switch is featured on all models.
- Manufactured in Taiwan.



CP Single Phase Series Dimensions

Model	CP200	CP250	CP300	CP500
Product Code	10059200	10059250	10059300	10059500
A (mm)	6 – Ø10.5	6 – Ø10.5	6 – Ø10.5	4 – Ø13.5
B (mm)	142	142	142	267
C (mm)	142	142	142	156
D (mm)	510	548	576	694
E (mm)	210	210	210	260
F (mm)	241	241	241	299



- The information shown is to be used as a guide only. Specifications are subject to change without notice.
- All materials handling or lifting jobs should be assessed individually.



- Never use a winch for supporting or transporting people or for loads over areas where people could be.
- Never walk or work under a load or in the line of force of any load.
- Never exceed the Rated Capacity of a winch or winch component.

ELECTRIC WINCHES

SINGLE PHASE 240V WINCHES

Comeup Electric Winches – CWG Series (1 Phase)

Pacific Hoists

Product Code	Model No.	Rated Capacity	Lifting Speed	Max Lift Height	Wire Rope Ø	Storage Cap.	Net Weight
		kg	m / min	m	mm	m	kg
10059770	CWG10077	300	12 – 18	58	6	60	42
10059851	CWG10151	400	12 – 18	58	9	60	120

Comeup Single Phase 240V Electric Winches are precision engineered and available in lifting capacities of 300kg and 400kg to suit a wide range of applications.



These low maintenance, high performance electric winches are constructed from heavy duty materials to ensure ongoing safety and reliability.

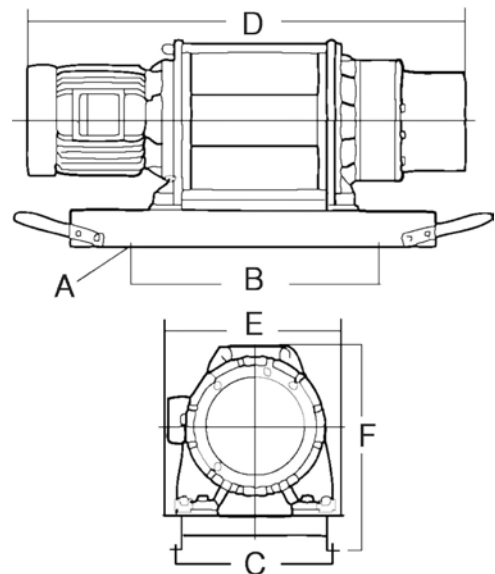
Features include:

- Lightweight, compact design for easy installation and portable use.
- Electromagnetic spring-applied failsafe brake designed for both static and dynamic loading which applies automatically in event of power loss.
- IP65 pendant control. 24V push button control.
- Compact load sharing design of the heat-treated planetary gear which ensures quiet operation and long life.
- Emergency stop function switch is featured on both models.
- Manufactured in Taiwan.



CWG Single Phase Series Dimensions

Model	CWG10077	CWG10151
Product Code	10059770	10059851
A (mm)	4 – Ø13.5	4 – Ø16
B (mm)	197	400
C (mm)	156	325
D (mm)	624	937
E (mm)	252	367
F (mm)	300	425



- The information shown is to be used as a guide only. Specifications are subject to change without notice.
- All materials handling or lifting jobs should be assessed individually.



- Never use a winch for supporting or transporting people or for loads over areas where people could be.
- Never walk or work under a load or in the line of force of any load.
- Never exceed the Rated Capacity of a winch or winch component.

ELECTRIC WINCHES

THREE PHASE 415V WINCHES

Comeup Electric Winches – CWG Series (3 Phase)

Pacific Hoists

Product Code	Model No.	Rated Capacity	Lifting Speed	Max Lift Height	Wire Rope Ø	Storage Cap.	Net Weight
		kg	m / min	m	mm	m	kg
10059951	CWG30151	500	12 – 18	58	9	60	120
10059953	CWG30375	900	13 – 20	58	10	60	220
10059955	CWG30565	1,100	14 – 25	97	12	100	290
10059957	CWG30750	2,200	7 – 12	97	16	100	450
10059959	CWG31500	3,500	5 – 7	144	18	150	860
10059961	CWG34000	5,000	9 – 14	192	22	200	1,500

Comeup Three Phase 415V Winches are precision engineered and available in lifting capacities from 500kg to 5,000kg to suit a wide range of applications.

These low maintenance, high performance electric winches are constructed from heavy duty materials to ensure ongoing safety and reliability.

Features include:

- Lightweight, compact design for easy installation and portable use.
- Electromagnetic spring-applied failsafe brake designed for both static and dynamic loading which applies automatically in event of power loss.
- IP65 pendant control. 24V push button control.
- Compact load sharing design of the heat-treated planetary gear which ensures quiet operation and long life.
- Emergency stop function switch is featured on all models.
- Manufactured in Taiwan.

COMEUP
WINCH

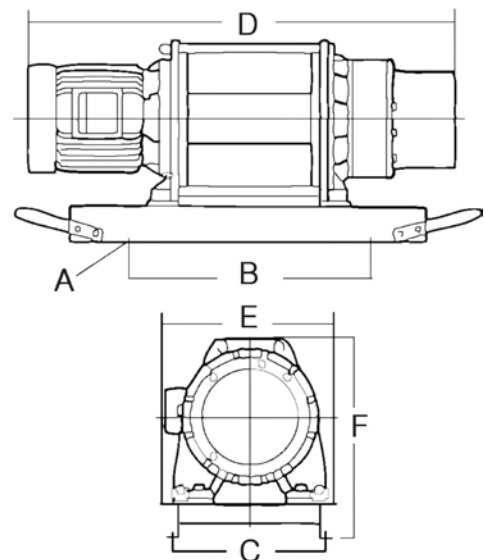


11

WINCHES

CWG Three Phase Series Dimensions

Model	CWG30151	CWG30375	CWG30565	CWG30750	CWG31500	CWG34000
Product Code	10059951	10059953	10059955	10059957	10059959	10059961
A (mm)	4 – Ø16	4 – Ø19	4 – Ø19	4 – Ø22	8 – Ø30	8 – Ø32
B (mm)	400	500	620	600	847	920
C (mm)	325	370	425	499	680	680
D (mm)	922	974	1120	1246	1439	1860
E (mm)	367	400	470	565	740	740
F (mm)	425	445	520	658	860	905



- The information shown is to be used as a guide only. Specifications are subject to change without notice.
- All materials handling or lifting jobs should be assessed individually.



- Never use a winch for supporting or transporting people or for loads over areas where people could be.
- Never walk or work under a load or in the line of force of any load.
- Never exceed the Rated Capacity of a winch or winch component.

ELECTRIC WINCHES

SINGLE PHASE 240V CAPSTAN WINCH

Comeup Dual Drum Electric Capstan Winch

Pacific Hoists

Product Code	Model No.	Drum Size	Rated Capacity	Speed	Gear Ratio	Max. Pulling Durations (min)	Weight
			kg	m / min			kg
10058250	H2500	Large Drum	1,500	4.0	154 : 1	15	43
		Small Drum	2,500	2.5			

The Comeup Capstan winch is designed to tackle the toughest wall, ground and underground pulling applications. Precision engineered and constructed from heavy duty materials for high performance winch with low maintenance.

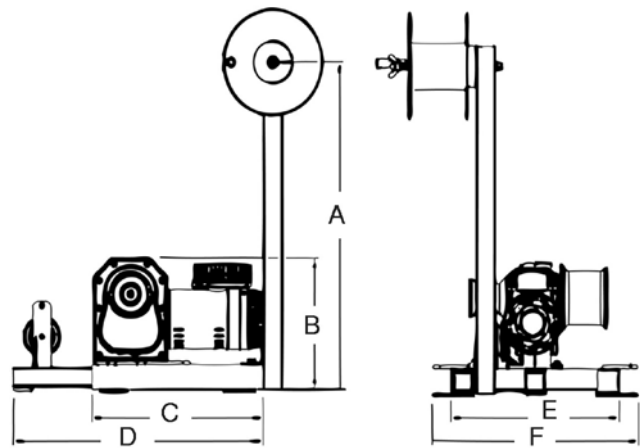
Features include:

- 240 Volt single phase cable puller.
- Dual pulling capacity of 2,500kg and 1,500kg.
- Dual speeds vary according to drum size.
- Over load protection switch which ensures automatic shut-off.
- Electromagnetic spring-applied fail safe brake.
- Heavy duty high efficiency ball bearings on all running surfaces.
- Rugged high power induction motor for proven reliability.
- Case hardened gear train for maximum mechanical efficiency.
- Rope storage reeler.
- Supplied with 3m power supply cable.
- Suitable rope diameter 7mm to 12mm (not supplied as standard).
- Manufactured in Taiwan.



Capstan Winch Dimensions

Model	H2500
Product Code	10058250
A (mm)	850
B (mm)	320
C (mm)	450
D (mm)	655
E (mm)	440
F (mm)	540



• A minimum of 6 wraps of rope around the drum is necessary to support the rated load.



- Never use a winch for supporting or transporting people.
- Do not use the Capstan winch as a lifting device for vertical lifting.
- Never exceed the Rated Capacity of a winch or winch component.
- Never walk in the line of force of any load.

ELECTRIC WINCHES

HOISTING WINCHES

Comeup Hoisting Winches – DH Series



Product Code		Comeup Item No.	Rated Capacity	Line Speed	Motor Rating	Wire Rope	Amp Circuit Breaker	Gear Ratio	Weight
12 Volt	24 Volt								
10100200	10100205	DH120	120	5.0	100 / 0.3	4.0 x 5	20 / 10	56 : 1	17
10100210	10100215	DH300	300	5.0	300 / 0.4	4.8 x 12	30 / 15	240 : 1	27
10100220	10100225	DH1200	545	12.5	900 / 1.2	6.0 x 15	150 / 80	216 : 1	22
10100230	10100235	DH1600	725	14.0	900 / 1.2	5.5 x 20	200 / 120	216 : 1	24
n.a.	10100245	DH2000	907	10.0	2,690 / 3.6	6.0 x 30	210 / 140	261 : 1	48

The Comeup 12 & 24 Volt DC Hoisting Winches provide a great answer to the Health & Safety recommendations for vans and pickups from 1/4 tonne to 1.5 tonne.



Ideal for installation in small trucks and utilities to eliminate the need for manual lifting and pulling. They are constructed from heavy duty material which creates a high performance product with low maintenance; suited for a wide range of applications.

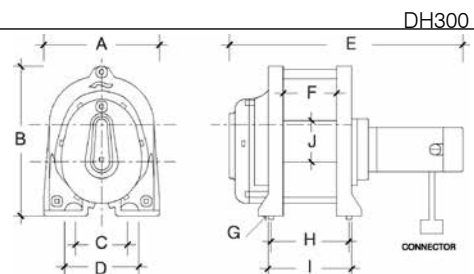
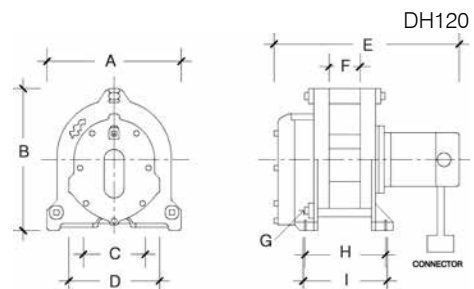
Standard features include:

- Compact, powerful and robust. Corrosion resistant.
- 12 or 24 Volt options. Over-current protection.
- Strong robust mechanical brake.
- Strong base for horizontal mounting.
- Remote pendant control – 4.4m length.
- Galvanised wire rope.
- Duty cycle is 25% ED and maximum frequency of 60 times per hour
- Circuit breakers are supplied with all models.
- Manufactured in Taiwan.



DH120 & DH300 Series Dimensions

Capacity (kg)	120	120	300	300
Model	DH120 – 12V	DH120 – 24V	DH300 – 12V	DH300 – 24V
Product Code	10100200	10100205	10100210	10100215
A (mm)	200	200	210	210
B (mm)	210	210	270	270
C (mm)	92	92	94	94
D (mm)	135	135	135	135
E (mm)	276	276	423	423
F (mm)	46	46	97	97
G (mm)	B – Ø10.5	B – Ø10.5	B – Ø10.5	B – Ø10.5
H (mm)	120	120	142	142
I (mm)	125	125	152	152
J (mm)	—	—	75	75



Note: The information shown is to be used as a guide only. Specifications are subject to change without notice. All materials handling or lifting jobs should be assessed individually.



• Never exceed the Rated Capacity.

ELECTRIC WINCHES

RECOVERY WINCHES

Comeup Self Recovery Winches – DV Series



Product Code		Comeup Item No.	Line Pull	Line Speed	Motor Rating	Wire Rope	Drum Size	Gear Ratio	Weight
12 Volt	24 Volt		kg	m / min	watt / hp	Ømm x m	mm xmm		kg
10059754	n.a.	DV6000S	2,720	8.0	2,386 / 3.2	7 x 24.4	63.5 x 125.5	216 : 1	17.7
10059756	10059757	DV9000	4,080	13.4	3,430 / 4.6	8 x 30.5	63.5 x 229.0	216 : 1	36.0

The Comeup Self Recovery Winches are equipped with a heavy duty motor which delivers superior torque output for self recovery applications. Our featured items offer a choice between 6,000lbs (2,720kg) or 9,000lbs (4,080kg) line pull though other options are available up to 15,000lbs (6,800kg) line pull.



All Comeup Recovery Winches offer the strongest power for working in off-road environments.

Standard features include:

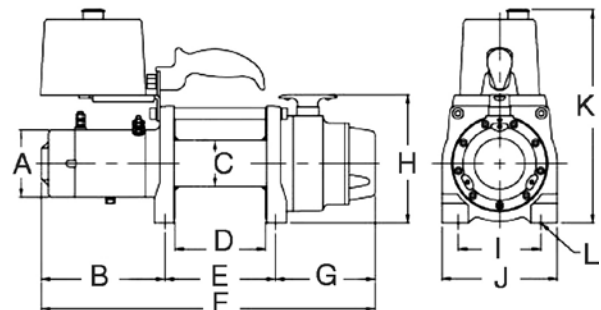
- All sealed high performance motor supplies superior torque output and faster line speed.
- Three stage planetary gearbox delivers the most reliable & durable performance of winch under tough weather conditions.
- Protective thermal sensor LED.
- Heavy duty sealed contactor ensures sound waterproof protection.
- Galvanised 7x19 construction steel wire rope.
- Manufactured in Taiwan.



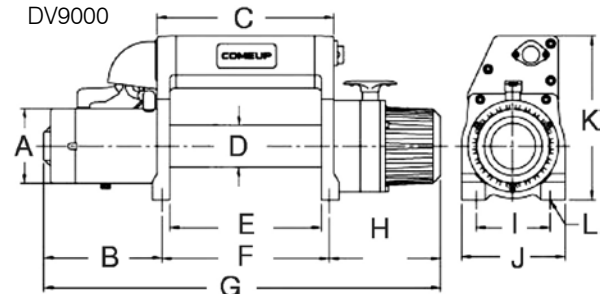
DV6000S & DV9000 Series Dimensions

Line Pull (kg)	2,720	4,080	4,080
Model	DV6000S – 12V	DV9000 – 12V	DV9000 – 24V
Product Code	10059754	10059756	10059757
A (mm)	93	114	114
B (mm)	170.6	179	179
C (mm)	63.5	268	268
D (mm)	125.5	63.5	63.5
E (mm)	152.4	229	229
F (mm)	460	254	254
G (mm)	137	602	602
H (mm)	177	169	169
I (mm)	114	114	114
J (mm)	159	159	159
K (mm)	294	250	250
L (mm)	4 – 11	4 – 11	4 – 11

DV6000S



DV9000



- The information shown is to be used as a guide only. Specifications are subject to change without notice.
- All materials handling or lifting jobs should be assessed individually.



- Never exceed the maximum Line Pull.

HYDRAULIC WINCHES

HYDRAULIC RECOVERY WINCHES

Comeup Hydraulic Recovery Winches – HV Series



Product Code	Comeup Item No.	Line Pull	Line Speed	Operating Pressure	Wire Rope	Drum Size	Gear Ratio	Weight
		kg	m / min	psi	Ømm x m	mm xmm		kg
10059800	HV8000SP	3,630	15	2,030	9.5 x 30.5	90 x 190	16.0 : 1	43.3
10059810	HV10000SP	4,535	14	2,030	9.5 x 40.0	102 x 253	16.0 : 1	46.6
10059820	HV12000P	5,440	10	2,030	13 x 40.0	114 x 255	19.4 : 1	87.0
10059830	HV15000P	6,800	9	2,030	14 x 27.0	127 x 255	19.4 : 1	88.0

Comeup Hydraulic Recovery Winches feature supreme power and reliability to handle the most demanding situations. They are designed for heavy duty applications on car transporters, tilt-tray vehicles, tractors, trucks and fire rescue vehicles and have the ability to run continuously in every condition.



Standard features include:

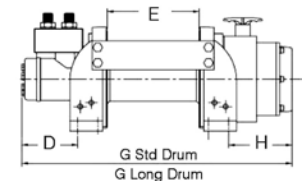
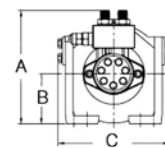
- Highly efficient and constant operating high torque motor.
- Two stage planetary gear train for greater pulling force.
- Drag brake and over-centre valve providing full 100% braking.
- European Standard EN14492-1 compliant; meets SAE J706, CE Machinery Directive 2006/42/EC and REMSA Standards.
- 10:1 D/d ratio and 2:1 wire rope strength allow severe duty vehicles and commercial recovery.
- Manufactured in Taiwan.



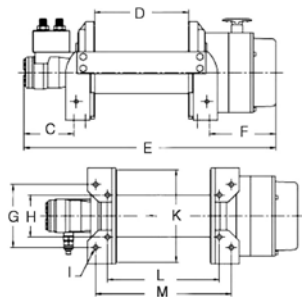
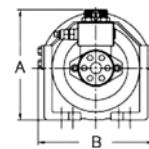
HV Series Dimensions

Line Pull (kg)	3,630	4,535	5,440	6,800
Model	HV8000SP	HV10000SP	HV1200P	HV1500P
Product Code	10059800	10059810	10059820	10059830
A (mm)	243.2	243.2	276.0	276.0
B (mm)	107.5	107.5	289.0	289.0
C (mm)	238.0	238.0	135.4	139.9
D (mm)	115.4	117.9	255.0	255.0
E (mm)	190.0	235.0	684.0	688.5
G Std Drum	557.6	623.1	171.2	171.2
G Long Drum	620.6	—	—	—
H (mm)	131.0	131.0	114.0	114.0
I (mm)	171.2	171.2	8-M12XP1.75	8-M12XP1.75
K (mm)	8-M10XP1.5	8-M10XP1.5	252.0	252.0
L (mm)	90.0	102.0	303.5	303.5
M (mm)	201.5	201.5	368.5	368.5
O (mm)	291.6	291.6	—	—
Q (mm)	374.2	374.2	—	—

HV8000SP,
HV10000SP



HV12000P,
HV15000P



• HV20000 Model with 9,000kg line pull now available. Contact your local Cookes branch.

• The information shown is to be used as a guide only. Specifications are subject to change without notice.
• All materials handling or lifting jobs should be assessed individually.

• Never exceed the maximum Line Pull.

CARE & USE OF WINCHES

SAFE USE

Never:

- Exceed the Rated Capacity or maximum Line Pull.
- Use a winch for lifting people unless it has been purposely designed to do so.
- Never lift loads over areas where people could be present.
- Use winches with loose or insecure handles.
- Use winches if the rope is twisted or trapped.
- Leave a load suspended freely in the air. If a load must be left suspended for a period of time, then a safety holding device such as a suitable rated chain should be fitted to secure the load.
- Use the pawl to arrest descending loads.

Loading on Winches

The load and speed of electric winches varies according to how much rope is on the drum. The first layer of rope on the drum delivers the slowest speed and the maximum load. A full drum delivers the maximum speed and the minimum load. Most winches are rated at their first layer capacities and the rating reduces by approximately 10% for each subsequent rope layer.

Using a brake winch safely in a lifting application

Winches are primarily designed as pulling devices and in most cases a hoist is recommended for lifting applications.

It is accepted however that a winch may prove more effective for lifting in certain circumstances. There are important considerations to be taken into account prior to using a winch for lifting purposes:

- Does the winch have a braking system approved for lifting applications?
- Does the winch have a specific rating for lifting as opposed to pulling?
- Does the winch comply with the required standard for use as a lifting device?

When using a winch in a lifting application you must ensure that the following safety instructions are adhered to:

Always:

- Satisfy yourself that the winch chosen is suitable for the intended lift application and meets all health and safety regulations.
- Have certification available to confirm that both the winch and the wire rope and components have sufficient WLL for the intended lift.
- Inspect the winch, rope and accessories before use and before placing into storage.
- Ensure mounting and suspension points are secure and suitable for all loads that will be imposed.
- Lift the load just clear of the ground and halt for short period to ensure the integrity of the brake before completing the lift.
- Ensure that only competent and fully trained persons use the winch.



- **This information is provided as a guide only. When using a winch for pulling or lifting purposes, it is the user's responsibility to ensure the winch meets all required regulations and that the operator is fully trained and competent in operating the device.**
- **Never exceed the Rated Capacity or maximum Line Pull of any winch.**



- **Improper winch use could result in serious injuries or death.**

CARE & USE OF WINCHES

SAFE USE OF TUGGER WINCHES

Before Use:

- Before use, carefully visually inspect the winch to ensure it is in a safe condition for use with no missing screws or parts. Operate all of the handles to ensure they are in order with no unusual noise or restrictions.
- Ensure the correct rope is selected for the winch and check the rope to ensure it is clean and undamaged before reeving into the winch.
- During normal operation it is not necessary to grease the rope.

Always:

- Always select a Cookes Wire Rope Pulling Hoist which is suitable for the required load.
- Always ensure the wire rope being used is the correct assembly for the specific winch. During operation, the rope should be kept clean to ensure mud and/or dirt does not get inside the winch. Failure to follow this precaution will increase wear on the rope and the grip jaws and may shorten the serviceable life of both.
- Always ensure the correct telescopic handle for the specific winch is being used. Do not utilise extended handles or leverage bars to save effort. If the load is too heavy for the winch operation, either use a larger capacity winch or apply the use of pulley blocks with the rope to decrease the effort required on the operating handle.
- Always ensure the rope inlet and outlet on the winch is not obstructed during operation. Also check the rope is free to move through the inlet and outlet without jamming due to being curled or wrapped around an obstacle. Be aware of any rope twisting trend during operation as tension release of this may damage the rope or cause injury to any personnel in the vicinity.
- Always ensure only one handle is in use at any time and that the others are not obstructed during use. Failure to do so may cause injury to personnel.

Never:

- Never use the rope itself as a loop around the load as this may damage the rope strands leading to failure.
- The factory supplied anchor pin fitted into the fixed axis must not be substituted for any other pin. Failure to follow this directive may cause a misalignment of the winch with possible damage and failure of the unit which may cause personal injury to the operator.
- Only the fixed axis point with the anchor pin fitted must be used to fix the winch and the fixed point of the rope end must support the other end. Never try to operate the winch in any other configuration as personal injury may be the result.



- **This information is provided as a guide only. When using a winch for pulling or lifting purposes, it is the user's responsibility to ensure the winch meets all required regulations and that the operator is fully trained and competent in operating the device.**
- **Never exceed the Rated Capacity of a Tugger Winch.**



- **Improper winch use could result in serious injuries or death.**

WINCH OPERATED CRANE

TELESCOPIC JIB CRANE

My-T-Lift Telescopic Crane & Winch

Product Code	Model No.	Rated Capacity	Net Weight
		kg	kg
10058500	MYT300	300	68

The My-T-Lift is the perfect solution for the safe handling of heavy loads, up to 300kg. This 360° telescopic jib crane is designed for single handed operation and can be mounted on trucks, trailers, pontoons and similar structures. It has the option of a manual winch or a 12 or 24 volt electric winch.

Due to its design, the My-T-Lift has the capability to allow accurate placement of heavy loads, even in confined space. This product is made from high quality durable steel and has the option to fold down when not in use.

Supplied as standard without winch – refer winch options below.

Standard features include:

- Available with manual brake winch, 12 or 24 volt electric winch.
- 360° manual radial slew; with slipper bearing thrust race for ease of slewing motion.
- Rugged structure with low maintenance powder coated finish.
- Folds down when not in use.
- Allows accurate placement of heavy loads in confined space.
- Drum lifting sling available as optional extra.

Options Available

Product Code	Model No.	Description
10059681	BHW1800	Manual Brake Winch
10100210	DH300	Electric Winch – 12V
10100215	DH300	Electric Winch – 24V
02836810	DLS	Drum Lifting Sling
02840030	PD6100	Drum Lifting Grab
10058520	CWS159A	Weighted Hook *
10058510	CRN300AP	Mounting Plate *

* Required with electric winch option.

Pacific Hoists



Application Example: My-T-Lift with manual brake winch mounted on truck cargo area.



• Never exceed the Rated Capacity.

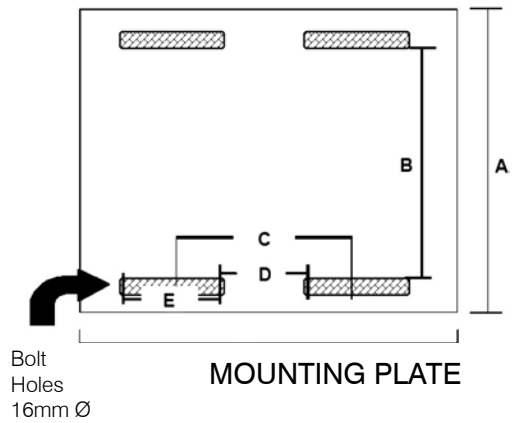
WINCH OPERATED CRANE

DIMENSIONAL DRAWINGS

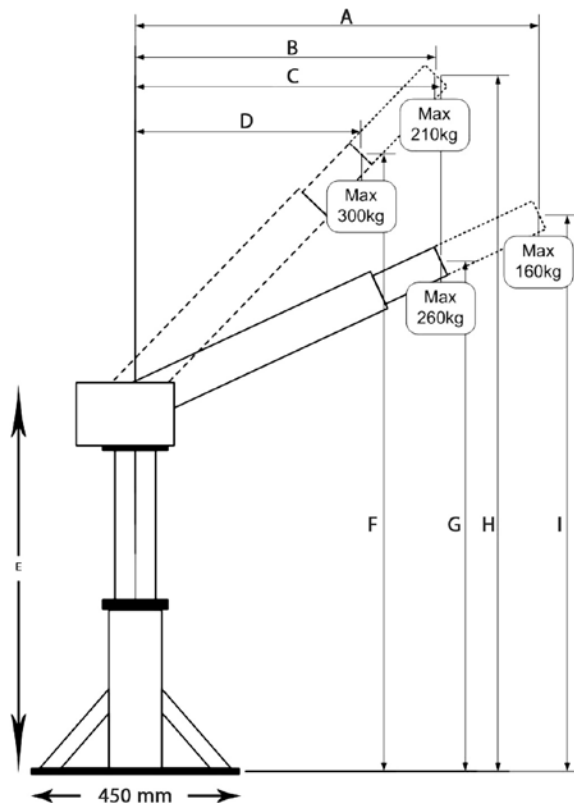
My-T-Lift Telescopic Crane & Winch

Model	MYT300B	Mounting Plate
Product Code	10058500	10058510
A (mm)	1,790	455
B (mm)	1,490	379
C (mm)	1,290	195
D (mm)	1,110	70
E (mm)	920	123
F (mm)	1,730	450
G (mm)	1,330	—
H (mm)	2,030	—
I (mm)	1,510	—

Pacific Hoists



MY-T-LIFT TELESCOPIC CRANE



- The information shown is to be used as a guide only. Specifications are subject to change without notice.
- All materials handling or lifting jobs should be assessed individually.

WINCH ROPES & STRAPS

WIRE ROPES, DYNAMICA ROPES & WEBBING STRAPS

Cookes have the in-house capability to manufacture winch ropes and polyester webbing straps to your specific requirements.

Note that many winches are supplied without ropes or straps as the choice is often one of personal preference.

Winch ropes and straps can be manufactured from the following materials:

- Steel wire rope.
- Polyester webbing.
- Dynamica cordage.

Hook options detailed on following pages.



• For further information contact your local Cookes branch, Freephone 0508 274 366 or email customerservices@bridoncookes.co.nz.



• Where ropes are being fitted to winches approved for lifting applications, be sure to advise our team member of your required Working Load Limit (WLL).



• Where a hook is fitted always ensure load is seated correctly in bowl of hook.
• Never exceed the Rated Capacity of any wire rope, Dynamica rope or webbing straps.

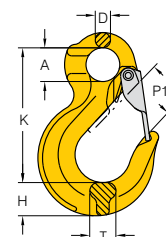
WINCH ROPES & STRAPS

HOOKS FOR WINCH ROPES & STRAPS

Eye Hooks – For Lifting & Pulling Applications



Product Code	Yoke Item No.	WLL	Dimensions (mm)						Weight
		t	A	D	H	K	P1	T	kg
02463006	8-044/S-06	1.12	20	9	20	80	23	16	0.3
02463007	8-044/S-07	2.0	25	11	23	98	28	20	0.5
02463010	8-044/S-10	3.15	32	14	31	121	36	23	1.0
02463013	8-044/S-13	5.3	40	18	38	152	40	28	1.7



Where a winch is approved for lifting applications it must carry a rope and hook also approved for lifting. The Yoke eye hooks are fully tested and certified for such applications. Includes safety latch.

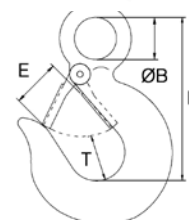


- Replacement safety latch kits available.
- Complies with EN1677.
- Design factor 4:1 proof tested and certified.
- Manufactured in Taiwan.



Eye Hooks – For Pulling Applications Only

Product Code	MWL*	Dimensions (mm)				Approx. Weight
	kg	Ø B	E	R	T	kg
09564505	750	16	20	71	16.5	0.20
09564506	1,000	19	21	82	20.0	0.25
09564507	1,500	23	23	93	21.0	0.40
09564508	2,000	28	24	104	21.0	0.60
09564509	3,000	32	26	119	27.5	1.00



Designed for pulling applications only.

- Manufactured from 40cr Alloy Steel.
- Marked with MWL.
- 4:1 design factor.
- Complete with spring actuated safety catch.
- Zinc plated finish.
- Manufactured in China.

* MWL: The Maximum Working Load is shown only for guidance in selecting a hook with sufficient strength for the intended application.

• Cookes can manufacture winch ropes and straps in-house to your requirements.

• Item 2 is not suitable for lifting applications!

WINCH ROPES & STRAPS

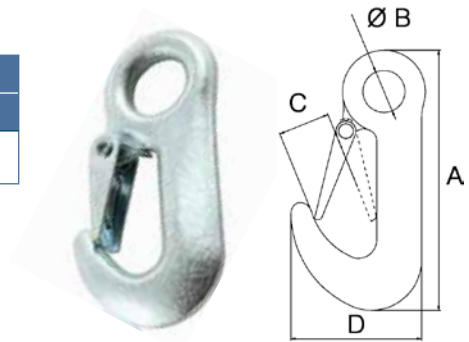
HOOKS FOR BOAT WINCH ROPES & STRAPS

Forged Snap Hooks

Product Code	MWL	Dimensions (mm)			
	kg	A	Ø B	C	D
09564740	750	91	18	19	46

A small compact hook that offers a stronger alternative to S-Hooks on boat trailer winch ropes.

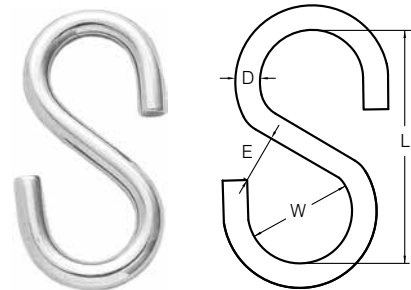
- Suitable for use with both rope and webbing.
- Complete with spring actuated safety catch.
- Zinc plated finish.
- Manufactured in China.



S-Hooks

Product Code	Size (mm)	MWL	Dimensions (mm)		
	D		L	W	E
09564309	8	158	64	24	12

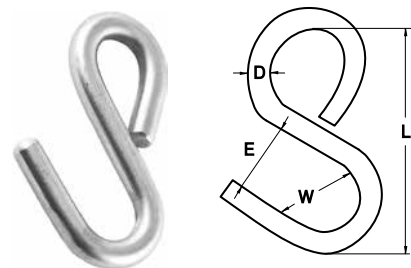
- AISI316 Stainless Steel material.
- Polished finish.
- Design factor 4:1 MWL to MBL.
- Manufactured in China.



Bull Nose S-Hooks

Product Code	Size (mm)	MWL	Dimensions (mm)		
	D		L	W	E
09564303	9.5	250	70	21	23.5

- AISI316 Stainless Steel material.
- Machined 'Bull Nose' one end.
- Design factor 4:1 MWL to MBL.
- Manufactured in New Zealand.



* MWL: The Maximum Working Load is shown only for guidance in selecting a S-hook with sufficient strength for the intended application.



• Cookes can manufacture winch ropes and straps in-house to your requirements.



- Not suitable for lifting applications!
- Never use a winch rope or winch strap as a sling.
- Where a hook is fitted always ensure load is seated correctly in bowl of hook.

