





WIRE ROPE FITTINGS & RIGGING TOOLS

Introduction	310
Wire rope grips	311
Fitting & Inspection	311
Heavy Pattern	312
Double-Throated	313
Regular Duty	314
Light Pattern	315
Stainless Steel	316
Wire Rope Thimbles	317
Introduction & Safe Use	317
Heavy Duty	318
Solid Type & Regular Duty	319
Stainless Steel	320
Tube Thimbles	321
Rigging Screws & Turnbuckles	322
Introduction & Safe Use	322
Jaw & Jaw Rigging Screws	323
Townley Information Guide	325
Jaw & Jaw Turnbuckles	326
Stub End (Weldable) Turnbuckles	327
Crosby Group Turnbuckles	328
Commercial Quality Turnbuckles	329
Wire Rope Sockets	330
Introduction	330
Wedge Sockets	331
Forged Spelter Sockets	332
Rigging Tools	333
Wire Rope Cutters	333
Wire Rope Swaging & Crimping Tools	334
Marlin Spikes	337
Klein Wire Pulling Grips Introduction	338
Klein Chicago® Grips	340
Klein Haven® Grips	341
Klein Howe Wire Tool	342
Tacoman Wire Rope Clamp	343
Rigging Accessories	344
Maxirig Sling Equalisers	344

INTRODUCTION

Cookes has been heavily involved in all major New Zealand construction projects for over 100 years. We represent the world's leading manufacturers which means that you receive only the highest quality products available today.

With branches and service vehicles situated right around New Zealand, the Cookes team will ensure your job can be undertaken safely using fit for purpose rigging equipment.

If, by some small chance, we do not have what you are looking for, be assured that we will find it for you.

09

WIRE ROPE FITTINGS
& RIGGING TOOLS



COOKES – helping lift New Zealand business for over 100 years!
a BRIDON · BEKAERT Ropes Group Brand

WIRE ROPE GRIPS

FITTING & INSPECTION

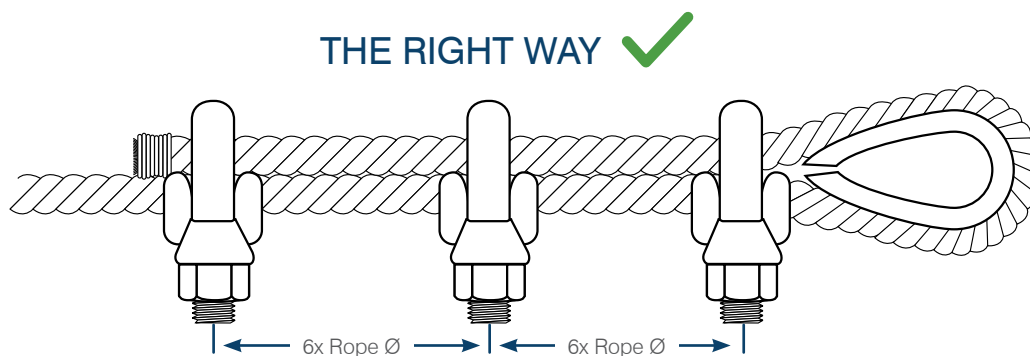
Cookes' range of wire rope grips provide a fast and convenient means of forming an eye loop on wire ropes where socketing or splicing is not feasible, or where a temporary join is required.

Cookes offers three ranges of wire rope grips, from the heavy pattern, fully hot dip galvanised EN13411-5 Type B (formerly FF-C-450) range, to zinc plated EN13411-5 Type A (formerly DIN1142) and our light duty commercial pattern range.

Fitting of Wire rope grips

The efficiency of a wire rope termination made with wire rope grips will depend on the correct placement on the ropes and on the care and skill of the fitting and tightening of the grips. With inadequately tightened nuts, or with an insufficient number of wire rope grips, the rope may slide through the clips at a very early stage in loading.

The saddle of the wire rope grip must always sit on the load bearing section of the wire rope, with the grip's U-Bolt on the rope tail or dead-end ('Never saddle a dead horse'). For recommended grip numbers and torque values, please refer to the table in following pages for the pattern of wire rope grip concerned.



Inspection of Wire rope grips

Wire rope grips should be inspected before use to ensure that:

- all markings are legible
- the wire rope grip is free from nicks, gouges and cracks
- a wire rope grip with the correct dimensions has been selected.



- **Wire rope grips must never be used on load hoisting ropes. Wire rope grips should only be used for forming eyes on stays or guys (refer Approved Code of Practice for Load-Lifting Rigging 5th Edition).**
- **Never modify, repair or reshape a wire rope grip by machining, welding, heating or bending as this may affect the performance.**

WIRE ROPE GRIPS

HEAVY PATTERN

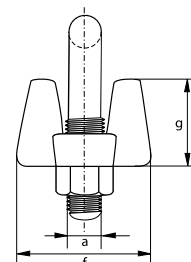
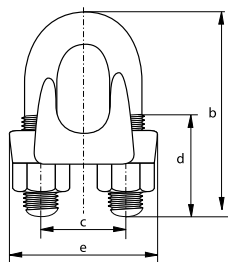
Hot Dip Galvanised Forged Grips* to EN13411-5 Type B

Product Code	Suit Rope	Dimensions (mm)							Required Number of Grips		
	Ømm	a	b	c	d	e	f	g	No. of Clips	Turn Length (mm)	Torque (Nm)
02101406	6 – 7	8	34	19	13	37	30	18	2	120	20.3
02101408	8	10	45	22	19	43	33	19	3	133	40.7
02101410	9 – 10	11	49	26	19	49	42	25	3	165	61
02101411	11	12	60	30	25	58	46	26	3	178	88
02101413	12 – 13	13	61	30	25	58	48	31	3	292	88
02101416	16	14	74	33	32	64	54	36	3	305	129
02101419	18 – 20	16	86	38	37	72	57	38	4	460	176
02101422	22	19	98	45	41	80	62	40	4	480	305
02101426	24 – 26	19	108	48	46	88	67	47	5	660	305
02101428	28 – 30	19	117	51	51	91	73	48	6	860	305
02101432	32 – 34	22	130	59	54	105	79	56	7	1,120	488
02101435	35 – 36	22	140	60	59	108	79	58	7	1,120	488
02101438	38	22	147	66	60	112	85	64	8	1,370	488
02101440	40 – 42	25	161	70	67	121	92	67	8	1,470	583
02101445	44 – 48	29	174	78	70	134	97	76	8	1,550	800
02101451	50 – 52	32	195	86	78	150	113	85	8	1,800	1,017
02101456*	56 – 58	32	213	98	81	162	116	100	8	1,850	1,017
02101465*	62 – 65	32	227	105	87	168	119	113	9	2,130	1,017
02101468*	68 – 72	32	243	112	91	174	127	124	10	2,540	1,017
02101475*	75 – 78	38	271	121	98	194	135	136	10	2,690	1,627

* Available on indent.

Heavy Pattern Hot Dip Galvanised Forged Wire rope grips. Complies with EN13411-5 Type B (Federal Specification FF-C-450).

- Saddle grooved for improved nesting of the wire rope.
- Manufactured in China.



• Sizes 1/4" and 5/16" have hot dip galvanised saddle with Dacromet coated U Bolt and Nuts. Sizes 3/8" and larger are fully hot dip galvanised.



• Where dimensions are critical, refer your nearest Cookes branch or email customerservices@bridoncookes.co.nz.

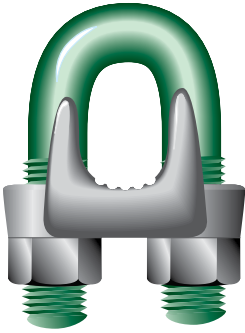


• Wire rope grips must never be used on load hoisting ropes!
• Always use the correct number of wire rope grips and torque to force shown in table above.

WIRE ROPE GRIPS

HEAVY PATTERN

ALSO AVAILABLE ON INDENT:



G-6240 Van Beest 'Green Pin' Wire Rope to EN13411-5:Type B (FF-C-450).

- Hot dipped galvanised.
- Sizes 7/16" and larger fully hot dip galvanised.
- Manufactured in The Netherlands.

For pricing and delivery on high quality Van Beest forged wire rope grips, please contact your nearest Cookes branch or email: customerservices@bridoncookes.co.nz.



G-450 Crosby 'Red Bolt' Wire Rope Clips to EN13411-5:Type B (FF-C-450).

- Bow mechanical galvanised then painted red.
- Saddle hot dip galvanised.
- Manufactured in the USA.

For pricing and delivery on high quality Crosby forged wire rope grips, please contact your nearest Cookes branch or email: customerservices@bridoncookes.co.nz.

DOUBLE-THROATED WIRE ROPE GRIPS



- Manufactured in Australia in accordance with AS2076.
- Available on indent in sizes to suit wire rope from 8mm to 28mm diameter.

For a specification sheet please contact your nearest Cookes branch or email customerservices@bridoncookes.co.nz.



• Wire rope grips must never be used on load hoisting ropes!

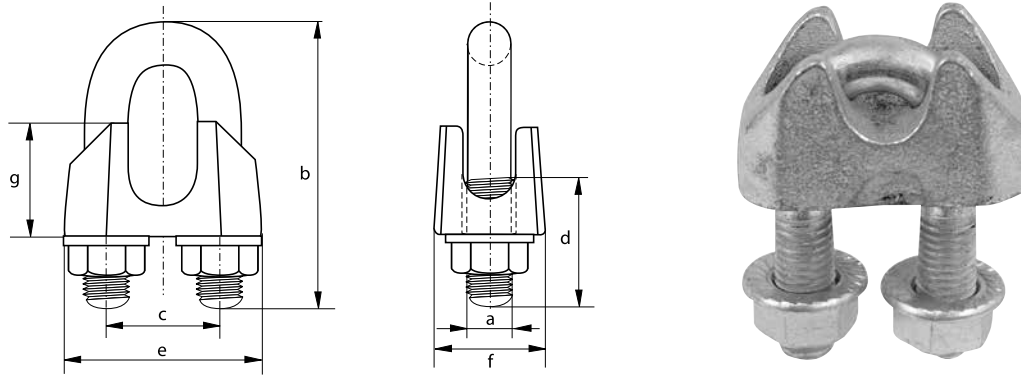
WIRE ROPE GRIPS

REGULAR PATTERN

Electro-Galvanised Regular Duty Grips to EN13411-5 Type A

Product Code	Suit Rope	Dimensions (mm)							Required Number of Grips	
	Ømm	a	b	c	d	e	f	g	No. of Clips	Torque (Nm)
02100005	5	5	25	12	14	25	13	13	3	2
02100006	6	6	32	14	17	30	16	14	3	3.5
02100008	8	8	41	18	20	39	20	18	4	6
02100010	9 – 10	8	46	20	24	40	20	21	4	9
02100013	12 – 13	12	64	29	29	55	28	29	4	33
02100016	16	14	76	34	35	64	32	35	4	49
02100019	19 – 20	14	83	37	36	68	33	40	5	68
02100022	22	16	96	41	40	74	34	44	5	107
02100026	26	20	111	46	50	84	38	51	5	147
02100030	28 – 30	20	127	54	55	95	41	59	6	212
02100034	32 – 34	22	141	60	60	105	45	67	6	296
02100040*	38 – 40	24	159	68	65	117	49	77	6	363

* Available on indent.



Regular Duty Electro-Galvanised Wire rope grips. Comply generally with EN13411-5 (formerly DIN1142).

- Malleable steel saddle and mild steel U-bolt.
- Electro-galvanised finish.
- Non-grooved saddle.
- Manufactured in China.



• Where dimensions are critical, refer your nearest Cookes branch or email customerservices@bridoncookes.co.nz.



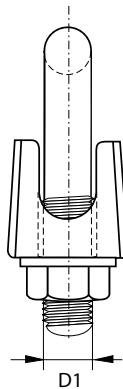
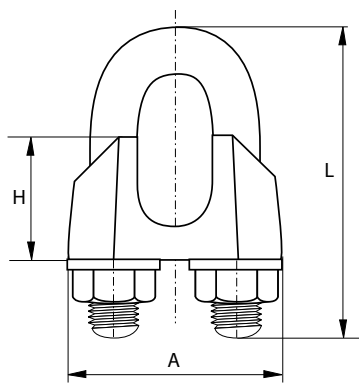
- Wire rope grips must never be used on load hoisting ropes!
- Always use the correct number of wire rope grips and torque to force shown in table above.

WIRE ROPE GRIPS

LIGHT PATTERN

Electro-Galvanised Commercial Wire rope grips

Product Code	Suit Rope	Dimensions (mm)			
	Ømm	Diameter (D1)	Width Base (A)	Height Saddle (H)	Height Bow (L)
02099003	3	4	21	10	20
02099005	5	5	23	10	24
02099006	6	5	26	11	28
02099008	8	6	30	15	34
02099009	10	8	34	17	42
02099013	13	10	42	21	55
02099016	16	12	50	26	63
02099019	19	12	54	30	75
02099022	22	14	61	34	85
02099026	26	14	65	37	95
02099030	30	16	74	43	110
02099034	34	16	80	50	120



Light duty Commercial Wire rope grips based on DIN 741 pattern.

- Electro-galvanised finish.
- Non-grooved saddle.
- Manufactured in China.



• Where dimensions are critical, refer your nearest Cookes branch or email customerservices@bridoncookes.co.nz.



• Commercial pattern light duty wire rope grips must not be used.

WIRE ROPE GRIPS

STAINLESS STEEL

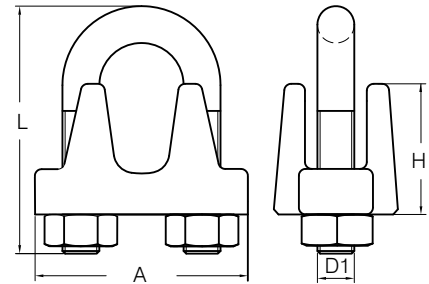
Stainless Steel – American Style

Product Code	Suit Rope	Dimensions (inch)			
	Ømm	Diameter (D1)	Width Base (A)	Height Saddle (H)	Height Bow (L)
09568303	3	M6	0.94	0.40	0.85
09568305	5	M6	1.14	0.50	1.20
09568306	6	M8	1.42	0.65	1.35
09568308	8	M10	1.69	0.72	1.75
09568310	10	M12	1.93	0.91	1.95
09568312	12	M12	2.28	1.15	2.45
09568316	16	M14	2.48	1.34	2.95

Stainless Steel Grips – American Style

- Grade AISI316 Stainless Steel.
- Manufactured in China.

Larger sizes available on indent.



Stainless Steel – Japanese Style

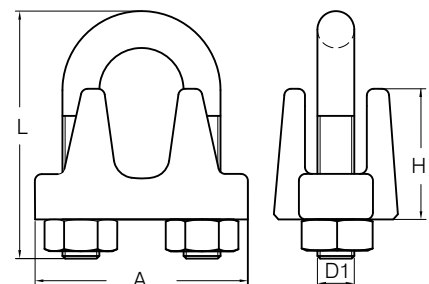
Product Code	Suit Rope	Dimensions (mm)			
	Ømm	Diameter (D1)	Width Base (A)	Height Saddle (H)	Height Bow (L)
09568304	4	M4	19	13	25
09568306LD	6	M6	27	17	35.5

Stainless Steel Grips – Japanese Style.

Lighter pattern than the American style wire rope grips.

- Grade AISI316 Stainless Steel.
- Manufactured in China.

Other sizes available on indent.



• Commercial pattern light duty wire rope grips must not be used.

WIRE ROPE THIMBLES

INTRODUCTION & SAFE USE

Cookes offers a range of wire rope and synthetic rope thimbles designed to prevent rope eyes from crushing.

The thimble is inserted into the formed eye prior to termination and will protect a wire rope from contact with edges that may damage the wires.

A rope or synthetic rope eye formed without a thimble may be subjected to sharp bends under load, leading to premature failure. Rope slings may also be damaged if a thimble is not inserted correctly.



Heavy Duty – Galvanised



Stainless Steel



Solid Thimble



Tube Thimble



Safe Use of Rope Thimbles

Thimbles should be regularly inspected because in use they may be affected by wear, misuse and overloading, leading to deformation of the steel structure. The dimensions of the thimbles must allow the (wire) rope to seat correctly in the groove of the thimble. For (wire) ropes intermediate sizes, the next larger size of thimble should be used.



• To have thimbles professionally fitted contact your nearest Cookes branch or email customerservices@bridoncookes.co.nz.



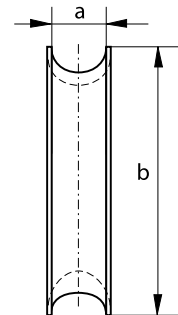
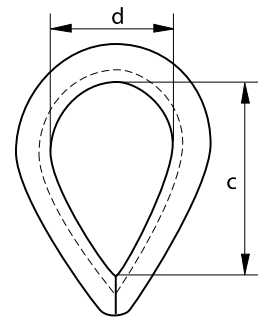
• Before use, check that the thimble is free from impurities, sharp edges, cracks or other irregularities which may damage the rope.

WIRE ROPE THIMBLES

HEAVY DUTY

Hot Dip Galvanised Thimbles to AS1138

Product Code	Suit Rope	Dimensions (mm)			
	Ømm	a	b	c	d
02106006	6	6	48	30	20
02106008	8	8	54	33	22
02106009	10	10	64	38	25
02106011	11	13	73	41	29
02106013	13	14	80	44	32
02106014	14	15	80	44	32
02106016	16	17	98	59	41
02106019	19	20	124	73	51
02106022	22	23	133	83	57
02106026	26	27	162	108	70
02106028	29	29	178	111	76
02106032	32	33	197	133	95
02106035	35	38	229	152	105
02106038	38	41	254	165	114
02106042	42	46	254	165	114
02106044	45	51	286	178	127
02106048	48	60	318	191	133
02106051	51	64	330	203	140
02106064	64	70	413	241	159



Generally comply to AS1138.

- Suitable for lifting applications.
- Hot dip galvanised finish.
- Manufactured in China.

Open Pattern Galvanised Thimbles

Product Code	Suit Rope	Dimensions (mm)				Gap
	Ømm	a	b	c	d	mm
02106012O	13	14	80	44	32	17
02106016O	16	17	98	59	41	21



Allows thimble to be assembled directly onto another component.



• Cookes recommends using only AS1138 thimbles above or cast solid thimbles (page 319) for wire ropes used in lifting applications.



• Before use, check that the thimble is free from impurities, sharp edges, cracks or other irregularities which may damage the rope.

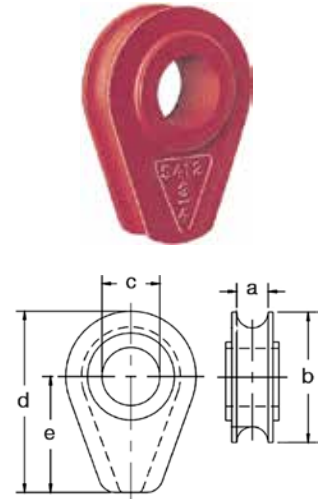
WIRE ROPE THIMBLES

SOLID TYPE & REGULAR DUTY

S-412 Solid Wire Rope Thimbles



Product Code	Crosby Item No.	Suit Rope	Dimensions (mm)					Weight kg
		Ømm	a	b	c	d	e	
02113013C	1037121	13	14.2	54.0	26.9	71.5	44.5	0.28
02113016C	1037149	16	20.6	86.0	33.3	119	76.0	1.00
02113019C	1037167	18 – 20	20.6	86.0	38.1	119	76.0	1.05
02113022C	1037185	22	26.9	114	44.5	154	97.0	2.47
02113026C	1037201	24 – 26	26.9	114	54.0	154	97.0	2.38
02113028C	1037229	28 – 30	33.3	137	60.5	184	116	4.21
02113032C	1037247	32 – 35	38.9	137	67.0	184	116	4.45

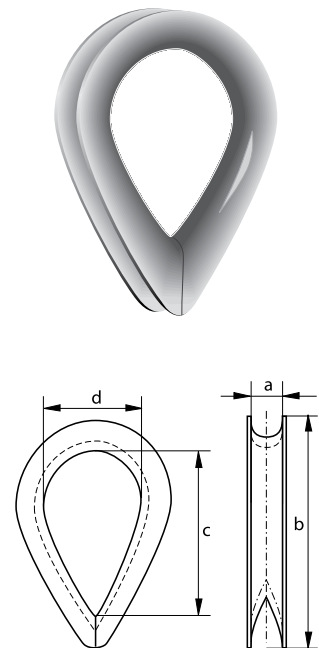


A high quality Crosby manufactured solid thimble pre-drilled to suit open wire rope socket, boom pendant clevis, wedge socket, shackle, etc.

- Cast ductile iron.
- Manufactured in the USA.

Electro / Hot Dip Galvanised Thimbles to DIN6899 (B)

Product Code	Suit Rope	Dimensions (mm)			
	Ømm	a	b	c	d
02105003	3	3	22	19	12
02105004	4	5	32	23	14
02105005	5	6	38	25	16
02105006	6	7	44	28	18
02105008	8	8	51	32	20
02105010	10	10	57	38	24
02105012	12	12	64	45	28
02105016	16	16	83	58	36
02105020	20	20	102	72	45
02105022	22	22	114	80	50
02105026	26	28	152	112	70



Generally comply to DIN 6899(B). Commercial thimbles have a shallower groove, making them suitable for use with synthetic ropes.

- Zinc plated finish.
- Manufactured in China.



• Cookes recommends using only AS1138 thimbles (page 318) or cast solid thimbles (at top of this page) for wire ropes used in lifting applications.



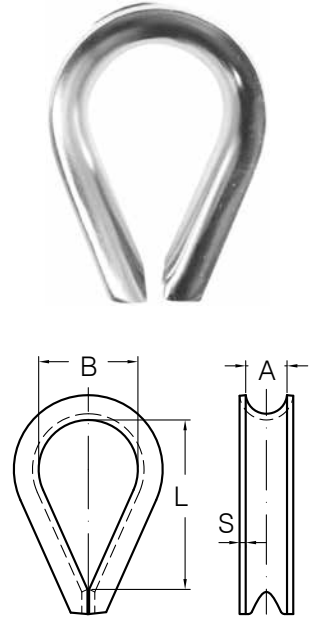
• Before use, check that the thimble is free from impurities, sharp edges, cracks or other irregularities which may damage the rope.

WIRE ROPE THIMBLES

STAINLESS STEEL

Heavy Pattern Stainless Steel – U.S. Pattern

Product Code	Suit Rope	Dimensions (mm)			
	Ømm	A	B	L	S
02106603	3	3.5	17.5	33.0	1.2
02106605	5	6.0	19.0	35.5	1.5
02106606	6	7.0	22.0	41.0	2.0
02106608	8	8.5	27.0	48.0	2.0
02106610	10	10.5	29.0	54.0	3.0
02106612	12	13.5	38.0	70.0	3.5
02106616	16	17.0	44.5	82.5	4.0
02106620	20	20.0	51.0	95.0	6.1
02106622	22	24.0	57.0	108.0	6.1
02106625	25	27.0	63.5	114.0	6.1
02106632	32	36.5	89.0	167.0	8.9

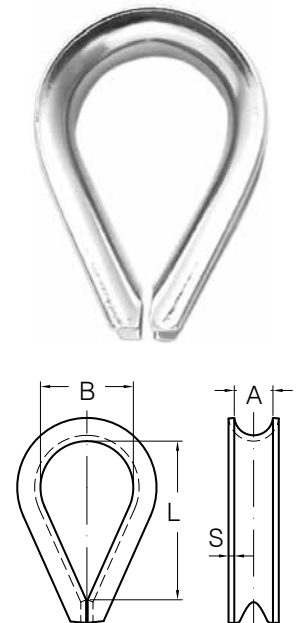


These heavy pattern stainless steel thimbles are more suitable for use with steel wire rope.

- 3mm manufactured from AISI.304 Stainless Steel.
- 5mm and larger manufactured from AISI.316 Stainless Steel.

Light Pattern Stainless Steel – European Pattern

Product Code	Suit Rope	Dimensions (mm)			
	Ømm	A	B	L	S
02106720	2	2.0	7	12	1.0
02106725	2.5	2.5	8	14	1.0
02106730	3	3.0	10	17	1.0
02106740	4	4.0	11	18	1.0
02106750	5	5.6	13	20	1.2
02106760	6	6.5	15	26	1.2
02106780	8	9.0	18	33	1.5
02106800	10	11.0	23	43	2.0
02106820	12	14.0	27	48	2.0
02106822	14	15.0	34	53	2.5
02106825	16	17.0	38	57	3.0
02106865	18	19.0	40	67	3.0
02106900	20	22.0	45	75	4.0
02106925	24	26.0	56	96	5.0



A smaller, light pattern thimble suitable for use with synthetic ropes. AISI.316 Stainless Steel.



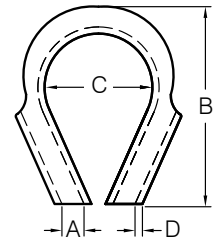
• Before use, check that the thimble is free from impurities, sharp edges, cracks or other irregularities which may damage the rope.

WIRE ROPE THIMBLES

TUBE THIMBLES

Heavy Duty – with gusset

Product Code	Model	Dimensions (mm)				
		Max Wire Ø	A	B	C	D
17185010	G715 K	12	15	95	27	5
17185011	G717 K	14	17	100	27	5
17185012	G719 K	16	19	112	32	5
17185013	G722 K	20	22	125	35	6
17185014	G725 K	22	25	150	45	6
17185015	G730 K	26	30	170	47	7
17185016	G735 K	32	35	190	60	7

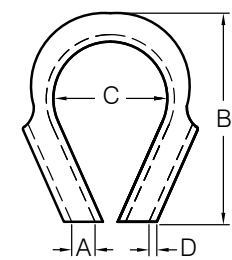


Tube thimbles are designed to provide additional protection for the rope.

- Added gusset prevents thimble from crushing under load.
- Manufactured in China.

Stainless Steel

Product Code	Model	Dimensions (mm)				
		Max Wire Ø	A	B	C	D
17185010S	SS715	12	15	85	28	2.5
17185011S	SS717	14	16	98	34	3.0
17185012S	SS719	16	20	112	38	3.0
17185013S	SS722	20	24	140	50	3.0
17185014S	SS725	22	26	154	55	3.0
17185015S	SS730	26	30	182	65	4.0
17185016S	SS735	32	38	224	80	6.0



Tube thimbles are designed to provide additional protection for the rope.

- G316 Stainless Steel.
- Manufactured in China.



• Before use, check that the thimble is free from impurities, sharp edges, cracks or other irregularities which may damage the rope.

RIGGING SCREWS & TURNBUCKLES

INTRODUCTION

Cookes offers a wide range of Rigging Screws (closed body) & Turnbuckles (open body) in a variety of models, grades and finishes from the world's leading manufacturers.

Rigging Screws and Turnbuckles have a multitude of uses from the length adjustment and tensioning of ropes used in recreational and sporting applications through to critical safety applications such as the tensioning of suspension bridge cables.

Tension is adjusted by rotating the frame which causes the left and right hand threaded sections to be screwed in or out simultaneously without twisting the cable.



09

WIRE ROPE FITTINGS
& RIGGING TOOLS

Safe Use of Rigging Screws & Turnbuckles

Rigging Screws & Turnbuckles should be inspected before use to ensure that:

- Where components are interfaced, they should readily connect and freely articulate, to ensure that loading will be applied in tension.
- Care should be taken to ensure that rigging screws & turnbuckles are not excessively tightened beyond the specified rating in tension.
- Regular inspection by a competent person is required.
- Threads should be protected from corrosion by effective means.
- The rigging screw or turnbuckle should be removed from service if it has a damaged screw thread, distorted body, distorted fitting, nicks, gouges, cracks or corrosion.

Locking of threads

Where rigging screws or turnbuckles are to be used in a permanently adjusted position and where a guy is subjected to shock vibration or rope spin it is necessary to prevent the screws from unwinding. Typical methods of locking threads include locknuts, locking plates and wire.

Locknuts, fitted at the ends of the body are a method of locking, but may not provide positive or reliable locking under all circumstances, such as that due to rope spin. Care should be taken to not use excessive torque during tightening.



• If you require assistance in selecting the correct product for your application, please contact your nearest Cookes branch, Freephone 0508 274 366 or email customerservices@bridoncookes.co.nz.

RIGGING SCREWS & TURNBUCKLES

JAW & JAW RIGGING SCREWS



Hot Dip Galvanised

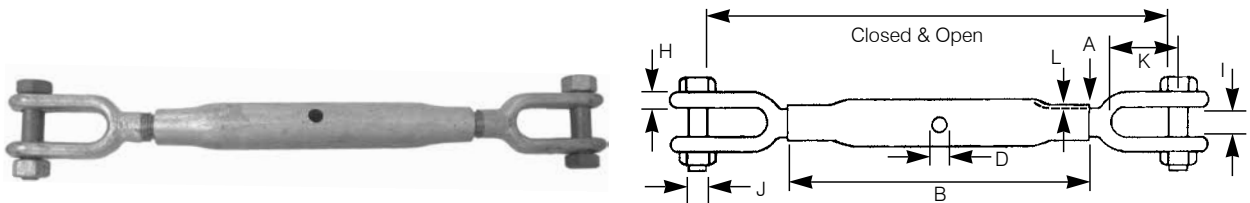
Product Code	Harris Walton Item No.	Thread	WLL	Proof L.	Dimensions (mm)								Weight kg
		in	t	t	B	C	D	H	I	J	K	L	
02201010H	HW71/0B	M10	0.381	0.762	153	22.0	8	8	12	8.0	27	3.6	0.47
02201013H	HW71/1	1/2	0.50	1.0	229	26.9	10	10	14	10.0	33	3.2	0.99
02201016H	HW71/2	5/8	0.75	1.5	229	26.9	11	10	22	12.7	48	3.6	1.41
02201019H	HW71/3	3/4	1.20	2.4	229	33.7	11	12	23	16.0	50	4.5	2.30
02201022H	HW71/4	7/8	1.70	3.4	305	38.1	13	12	28	19.0	58	5.0	3.44
02201026H	HW71/5	1.0	2.20	4.4	356	42.4	13	14	32	22.0	60	5.0	4.43
02201028H	HW71/6	1 1/8	2.75	5.5	356	42.4	13	15	32	22.0	75	5.0	5.30
02201032H	HW71/7	1 1/4	3.80	7.6	380	51.0	14	18	37	25.4	80	6.3	8.34
02201038H	HW71/9	1 1/2	5.20	10.4	405	60.3	16	21	49	33.0	85	6.3	12.80
02201045H	HW71/11	1 3/4	7.10	14.2	405	63.5	17	26	49	36.0	110	6.3	18.50
02201051H	HW71/13	2.0	9.50	19.0	405	76.1	19	30	58	42.0	125	8.0	23.80

High quality British manufactured jaw and jaw rigging screws with hot dip galvanised finish.

- Tested and certified.
- 4:1 design factor.
- Manufactured in the U.K.

Open & Closed Dimensions Bearing Points

(mm)	M10	1/2	5/8	3/4	7/8	1.0	1 1/8	1 1/4	1 1/2	1 3/4	2.0
Closed	240	340	370	375	465	535	555	590	650	705	745
Open	348	530	540	535	673	773	773	828	908	913	973



• **Lifting Applications:** Harris Walton rigging screws in sizes 1/2" thread and above are approved for lifting providing the full assembly in which they are fitted is proof-tested following fabrication and prior to use.



- Never exceed manufacturer's Working Load Limit (WLL).
- Inspect rigging screws carefully before every use.

RIGGING SCREWS & TURNBUCKLES

JAW & JAW RIGGING SCREWS

High Tensile – Hot Dip Galvanised

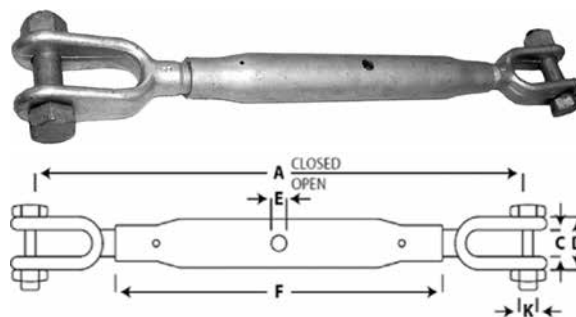


Product Code	Townley Item No.	Thread	WLL	Proof L.	A		Dimensions (mm)						Weight kg
			t	t	Closed	Open	B	C	D	E	F	K	
02201010T*	TBCC10P	M10	0.6	1.2	265	395	30	14	30	8.5	180	10	0.49
02201012T	TBCC12P	M12	1.0	2.0	340	525	36	15	35	8.5	230	10	0.97
02201016T	TBCC16P	M16	1.6	3.2	360	535	45	20	40	9.0	230	12	1.36
02201020T	TBCC20P	M20	2.5	5.0	390	555	55	22	46	10.5	230	16	2.35
02201024T	TBCC24P	M24	4.0	8.0	555	740	59	30	58	13.0	360	20	4.20
02201033T	TBCC33P	M33	8.0	16.0	628	904	80	38	75	14.0	380	27	11.20
02201048T*	TBCC48P	M48	16.0	32.0	800	1,030	109	46	110	18.0	420	42	32.00
02201064T*	TBCC64P	M64	28.0	56.0	838	1,035	115	70	152	22.0	405	51	62.20

* Available on indent.

High Tensile Jaw & Jaw Rigging Screws, tested & certified, hot dip galvanised finish. Complies with AS2319.

- The tubular body provides a reservoir for lubrication.
- Approved for both lifting and tensioning applications as per AS2319-2001.
- 6:1 Design Factor helps to counter possible problems from shock, vibration, fatigue wear, damage and corrosion.
- Lock nuts available on indent.
- Manufactured in Australia.



09

WIRE ROPE FITTINGS & RIGGING TOOLS



• Proven quality in critical applications such as suspension bridges.



• Townley rigging screws are approved for lifting applications providing length adjustment of the rigging screw is not made under full load.
• The rigging screw must never be used as the means to lift a load.



• Never exceed manufacturer's Working Load Limit (WLL).
• Inspect rigging screws carefully before every use.

RIGGING SCREWS & TURNBUCKLES

TOWNLEY INFORMATION GUIDE



Townley Drop Forge High Tensile Rigging Screws & Turnbuckles.

As New Zealand distributor for Townley Drop Forge Rigging Screws and Turnbuckles, **Cookes** has access to this higher quality range of Australian manufactured products, from locally sourced steel, in their various grades and with a number of end fitting options.

All Townley Rigging Screws and Turnbuckles are fully tested and certified, & offer a 6:1 design factor.

Quality & Safety You Can Rely On.

RIGGING SCREWS TO AS2319



Jaw & Jaw



Jaw & Eye



Eye & Eye

TURNBUCKLES TO AS2319



Jaw & Jaw



Jaw & Eye



Eye & Eye

Working Load Limits (WLL) & Test Forces

Nominal Size mm	Quality Grade L			Quality Grade P			Quality Grade S		
	WLL t	Test Force (kN)		WLL t	Test Force (kN)		WLL t	Test Force (kN)	
		Destructive Test (min)	Production Proof Test		Destructive Test (min)	Production Proof Test		Destructive Test (min)	Production Proof Test
10	0.3	17.7	5.9	0.6	35.4	11.8	0.8	47.1	15.7
12	0.5	29.5	9.9	1.0	58.9	19.7	1.2	70.7	23.6
16	0.75	44.2	14.7	1.6	94.2	31.4	2.0	118	39.3
20	1.25	73.6	24.6	2.5	148	49.1	3.2	189	62.8
24	2.5	148	49.1	4.0	236	78.5	5.0	295	98.1
27	3.0	177	58.9	5.0	295	98.1	6.3	371	124
30	4.0	236	78.5	6.3	371	124	8.0	471	157
33	5.0	295	98.1	8.0	471	157	10.0	589	197
39	6.0	354	118	10.0	589	197	12.0	707	236
42	7.5	442	148	12.0	707	236	16.0	942	314
48	10.0	589	197	16.0	942	314	20.0	1,180	393
56	15.0	883	295	20.0	1,177	393	28.0	1,650	550
64	20.0	1,180	393	28.0	1,648	550	36.0	2,120	707

Highlighted items may not be available.

RIGGING SCREWS & TURNBUCKLES

JAW & JAW TURNBUCKLES

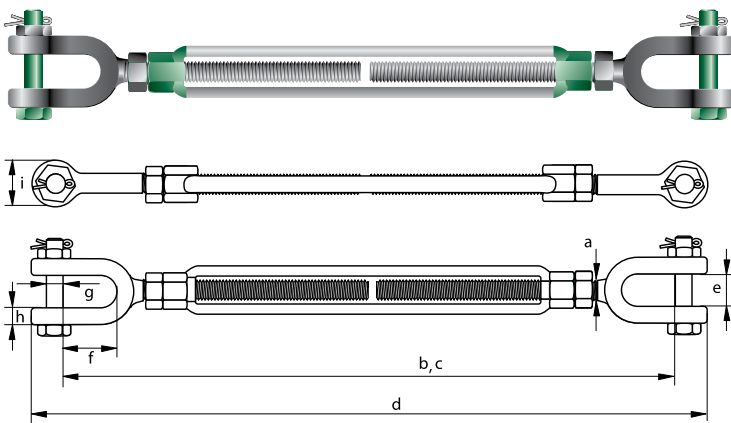
High Tensile – Hot Dip Galvanised



Product Code	WLL	Thread	Take Up	Dimensions (mm)								Weight
	t	Ø a (in)	in	closed b	open c	closed d	e	f	g	h	i	kg
02203061	0.54	3/8	6	273	409	305	12	21	8	9	21	0.57
02203064	1.00	1/2	9	380	587	418	16	26	10	11	26	1.18
02203067	1.59	5/8	9	421	622	481	18	32	13	14	33	2.12
02203070	2.36	3/4	12	518	791	588	24	38	16	16	41	3.29
02203073	3.27	7/8	12	559	825	636	27	42	19	19	48	4.90
02203078	4.54	1.0	12	598	859	683	30	50	22	20	55	6.96
02203081	6.90	1 1/4	18	793	1,218	900	44	71	28	26	68	13.60

09

WIRE ROPE FITTINGS & RIGGING TOOLS



Jaw & Jaw GreenPin® Turnbuckles, hot dip galvanised finish. Tested and certified generally to ASTM-F1145-92 (formerly FF-T-791b) and are approved for lifting applications (refer below).

- Manufactured from drop forged high tensile steel.
- 5:1 design factor.
- Jaw end fittings with Safety Bolt.
- Manufactured in The Netherlands.



• Other sizes up to 2-3/4" thread available on indent. For further information or specification sheets contact your nearest Cookes branch, Freephone 0508 274 366 or email customerservices@bridoncookes.co.nz.



Quality GreenPin® turnbuckles are suitable for lifting applications but please note the following:

- Length adjustment of the turnbuckle must not be made under full load.
- The turnbuckle must never be used as the means to lift a load.



• Never exceed manufacturer's Working Load Limit (WLL).

RIGGING SCREWS & TURNBUCKLES

STUB END (WELDABLE) TURNBUCKLES

Stub End – Metric Thread

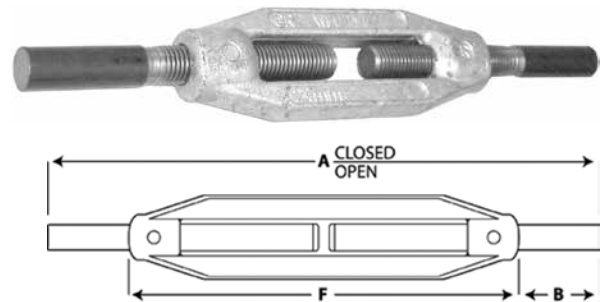


Product Code	Nominal Size	WLL	Dimensions (mm)				Weight
		t	closed A	open A	B	F	kg
02202310T*	M10	0.30	265	375	55	150	0.50
02202312T*	M12	0.50	335	475	70	191	0.80
02202316T*	M16	0.75	365	495	72	204	1.20
02202320T*	M20	1.25	365	500	79	217	2.00
02202324T*	M24	2.50	400	535	89	232	3.12
02202333T*	M33	5.00	400	554	74	252	5.50

* Available on indent.

Turnbuckle body marked with 'Townley Australia' and batch ID.

- Complies to load requirements of AS2319 (body only).
- Manufactured using only certified Australian steel.
- G300 Mild Steel to AS/NZS3679.1.
- Body galvanised to AS1650.
- Manufactured in Australia.

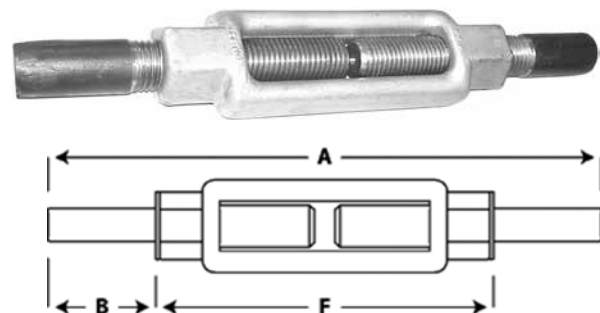


Stub End – Imperial Thread



Product Code	Nominal Size	WLL	Dimensions (mm)				Weight
		t	closed A	open A	B	F	kg
02202432T*	1 1/4"	5.00	415	565	70	255	4.61
02202438T*	1 1/2"	6.00	550	740	160	275	8.25

* Available on indent.



- CAD drawings available on request.
- Welding instructions available from Cookes.



Safety Instructions:

- Welding must be undertaken by a certified welder to ensure full WLL is maintained.
- Inspection must be carried out by a competent person before each use.



- Never exceed manufacturer's Working Load Limit (WLL).

RIGGING SCREWS & TURNBUCKLES

CROSBY GROUP TURNBUCKLES



As the authorised distributor for the Crosby Group in New Zealand, Cookes can offer on direct indent this world renowned range of high quality turnbuckles.

All Crosby turnbuckles meet the requirements of FF-T-791b / ASTM F-1145. End fittings are Quenched and Tempered, bodies heat treated by normalizing. Crosby's Quenched and Tempered end fittings and normalised bodies have enhanced impact properties for greater toughness at all temperatures.



HG-223

Hook & Hook

HG-225

Hook & Eye

HG-226

Eye & Eye

HG-227

Jaw & Eye

HG-228

Jaw & Jaw

Turnbuckle eyes are forged elongated, by design, to maximize easy attachment in system and minimize stress in the eye. For turnbuckle sizes $\frac{1}{4}$ " through $2\frac{1}{2}$ ", a shackle one size smaller can be reeved through eye. Forged jaw ends are fitted with bolts and nuts on sizes $\frac{1}{4}$ " – $\frac{5}{8}$ ", and pins and cotter on sizes $\frac{3}{4}$ " – $2\frac{3}{4}$ ".

- Hot dip galvanised finish.
- Hooks are forged with a greater cross sectional area that results in a stronger hook with better fatigue properties.
- Modified UNJ thread on end fittings for improved fatigue properties. Body has UNC threads.
- Lock Nuts available for all sizes.
- Typical hardness levels, tensile strengths and ductility properties are available for all sizes.
- Turnbuckles can be furnished proof tested or magnaflux inspected with certificates if requested at time of order.
- Manufactured in the USA.



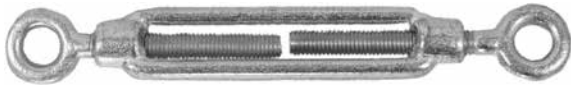
• Contact your nearest Cookes branch or email to customerservices@bridoncookes.co.nz for full specification sheet.

RIGGING SCREWS & TURNBUCKLES

COMMERCIAL QUALITY TURNBUCKLES

Mild Steel – Eye & Eye

Product Code	Thread	Ends
02203005	M5	Eye & Eye
02203006	M6	Eye & Eye
02203008	M8	Eye & Eye
02203009	M10	Eye & Eye
02203013	M12	Eye & Eye
02203016	M16	Eye & Eye
02203019	M20	Eye & Eye
02203022	M22	Eye & Eye
02203024	M24	Eye & Eye

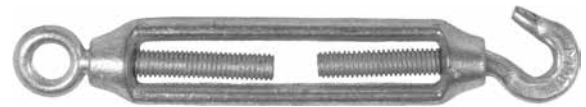


Commercial Quality Mild Steel Turnbuckles, galvanised finish. Non-Rated.

- Economy range for non-critical applications.
- Untested.
- Manufactured in China.

Mild Steel – Hook & Eye

Product Code	Thread	Ends
02204005	M5	Hook & Eye
02204006	M6	Hook & Eye
02204008	M8	Hook & Eye
02204009	M10	Hook & Eye
02204013	M12	Hook & Eye
02204016	M16	Hook & Eye



Commercial Quality Mild Steel Turnbuckles, galvanised finish. Non-Rated.

- Economy range for non-critical applications.
- Untested.
- Manufactured in China.

09

WIRE ROPE FITTINGS
& RIGGING TOOLS



• Not suitable for load bearing applications.

INTRODUCTION

Cookes represents the world's leading manufacturers of wire rope sockets. Crosby USA, Yoke Taiwan, Van Beest, Rope Block and GN Rope Fittings in the Netherlands are all names synonymous with rope socket quality and safety.

Whether your requirement is for wedge sockets, spelter sockets, mooring sockets or swage sockets, Cookes can help. As New Zealand's major supplier of steel wire rope, our specialist riggers can fit spelter sockets to new or existing ropes either in-house or at your site to ensure a safe and secure connection.



09

WIRE ROPE FITTINGS
& RIGGING TOOLS

OUR WORLD LEADING PARTNERS...



COOKES – helping lift New Zealand business for over 100 years!
a BRIDON · BEKAERT Ropes Group Brand

WIRE ROPE SOCKETS

WEDGE SOCKETS

S-421T Socket



Product Code	Crosby Item No.	Wire Rope	Dimensions (mm)							
		Ømm*	A	B	C ± 2.29	D	G	H	J	K
02001223	1035000	9 – 10	145	69.1	20.6	20.6	35.1	77.7	198	47.8
02001224	1035009	11 – 13	175	88.1	25.4	25.4	41.1	95.5	226	32.0
02001225	1035018	14 – 16	210	109	31.8	30.2	53.8	114	273	50.5
02001226	1035027	18 – 19	251	130	38.1	35.1	62.0	134	314	61.2
02001228	1035036	20 – 22	286	149	44.5	41.4	68.5	156	365	63.0
02001230	1035045	24 – 26	325	161	51.0	51.0	74.7	177	414	77.2
02001232	1035054	28 – 29	365	176	57.0	57.0	84.0	194	466	65.0
02001233	1035063	30 – 32	415	222	66.5	63.5	90.5	239	520	74.7

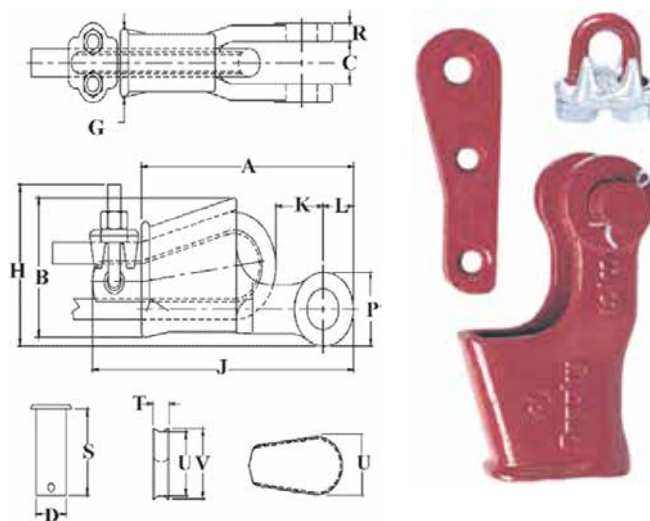
S-421T Socket (continued)

Product Code	Crosby Item No.	Wire Rope	Dimensions (mm)							Weight
		Ømm*	L	P	R	S	T	U	V	kg
02001223	1035000	9 – 10	22.4	39.6	11.2	54.1	11.2	31.8	35.1	1.44
02001224	1035009	11 – 13	26.9	49.3	12.7	65.0	13.5	44.5	47.8	2.79
02001225	1035018	14 – 16	31.0	57.2	14.2	82.6	17.5	51.0	55.5	4.40
02001226	1035027	18 – 19	35.6	66.8	16.8	92.2	19.8	59.5	65	6.58
02001228	1035036	20 – 22	42.4	79.5	19.1	109	22.4	68.5	74.5	9.75
02001230	1035045	24 – 26	51.0	95.5	22.4	119	26.2	73.0	83.5	13.9
02001232	1035054	28	57.0	108	25.4	138	27.9	82.6	90.5	20.5
02001233	1035063	30 – 32	59.5	114	26.9	156	30.2	117	125	29.4

* For intermediate wire rope sizes, use next larger size socket.

Assembly incl. Socket, Wedge, Pin and Wire Rope Clip. Type Approval and certification in accordance with ABS 2006 Steel Vessel Rules 1-1-17.7, and ABS Guide for Certification of Cranes.

- Basket is cast steel and individually magnetic particle inspected. Eliminates the need for an extra piece of rope, and is easily installed.
- Pin diameter and jaw opening allows wedge and socket to be used in conjunction with closed swage and spelter sockets.
- Secures the tail or "dead end" of the wire rope to the wedge, thus eliminates loss or "Punch out" of the wedge.
- The TERMINATOR™ wedge eliminates the potential breaking off of the tail due to fatigue.
- Utilizes standard Crosby Red-U-Bolt® wire rope clip.
- Manufactured in the USA.



STOP • Load applied in direct contact with the wedge can dislodge the wedge and cause loss of load!

WIRE ROPE SOCKETS

FORGED SPELTER SOCKETS

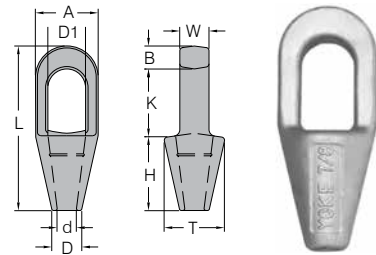
Forged Closed Spelter Socket



Product Code	Yoke Item No.	Rope Ømm	Dimensions (mm)										Weight kg
			A	B	D	D1	d	H	K	L	T	W	
02127113	8-735-13G	11-13	51	18	25	30	14	64	57	138	50	22	0.7
02127116	8-735-16G	14-16	67	21	28	36	18	76	64	160	63	25	1.2
02127119	8-735-19G	18-20	76	27	32	41	21	89	76	192	70	32	2
02127122	8-735-22G	22-23	92	32	38	48	24	101	89	222	88	38	3.6
02127126	8-735-26G	24-26	104	35	45	58	29	114	102	251	96	45	4.9
02127128	8-735-28G	28-30	114	38	51	65	32	127	114	279	105	50	7.2
02127135	8-735-36G	32-35	135	41	57	71	38	140	127	308	121	57	10.5
02127138	8-735-38G	36-39	135	49	70	81	41	152	152	354	133	64	14.3

Forged Closed Spelter Wire Rope Sockets. Meet performance requirements of Federal Specification RR-S-550E, Type B. Galvanised Finish.

- Forged from hardness controlled bar quality carbon steel.
- Closed spelter sockets correctly applied have an efficiency rating of 100% based on the catalogue strength of steel wire rope.
- Manufactured in Taiwan.



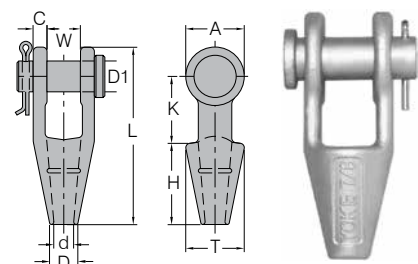
Forged Open Spelter Socket



Product Code	Yoke Item No.	Rope Ømm	Dimensions (mm)										Weight kg
			A	C	D	D1	d	H	K	L	T	W	
02128113	8-734-13G	11-13	48	13	25	25	15	63	54	142	50	25	1.1
02128116	8-734-16G	14-16	58	14	29	30	18	76	64	172	57	32	1.8
02128119	8-734-19G	18-20	67	16	32	35	22	92	76	202	67	38	2.6
02128122	8-734-22G	22-23	80	20	38	41	24	102	89	235	85	45	4.7
02128126	8-734-26G	24-26	96	23	44	51	29	114	102	268	95	52	7.4
02128128	8-734-28G	28-30	105	25	51	56	32	127	117	300	105	57	10.1
02128135	8-734-36G	32-35	121	29	57	62	38	140	127	335	120	64	14.9
02128138	8-734-38G	36-39	137	30	70	70	41	152	152	384	133	76	20.7

Forged Open Spelter Wire Rope Sockets. Meet performance requirement of Federal Specification RR-S-550D, Type A. Galvanised finish.

- Forged from hardness controlled bar quality carbon steel.
- Open spelter sockets correctly applied have an efficiency rating of 100% based on the catalogue strength of steel wire rope.
- Manufactured in Taiwan.



RIGGING TOOLS

INTRODUCTION

Manufactured in Switzerland from high quality steel, Felco cutters are widely regarded as the world leading product for hand cutting of steel cable. With high strength blades and lightweight handles, the Felco Wire Rope Cutter is built to last.

WIRE ROPE CUTTERS

Steel Wire Rope Cutters



Product Code	Cuts Wire Rope Up To		Length mm	Spare Blade	Spare Pivot Bolt
	Low Tensile Ø	Steel Rope Ø		Product Code	Product Code
02036007	7	5	190	n.a.	02036307
02036009	9	7	325	02036109	02036309
02036012	12	8	500	02036112	02036312
02036016	16	14	630	02036116	02036316

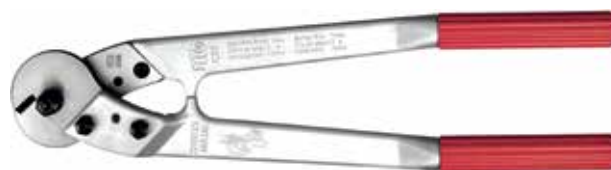


Replacement blades are available for all sizes except the small C7 cutters.

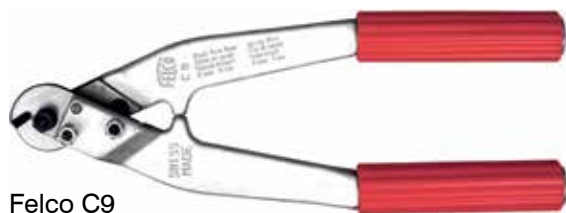
- The cutting capacities shown are indicative and actual cutting capacity will depend on the individual strength of the user and the density of material being cut.



Felco C7



Felco C12



Felco C9



Felco C16



• Don't be fooled by cheap imitations – insist on quality Swiss manufactured Felco wire rope cutters.



• When using cutters in a salt water environment we recommend coating the blades with a suitable protectant such as Anhydrous Lanolin.

RIGGING TOOLS

WIRE ROPE SWAGING & CRIMPING TOOLS

Hand Swaging Pliers – High Quality Local Manufacture

Product Code	Suits Wire Rope	Crimping Positions	Length	Spare Jaws Availability
	Ømm		mm	
02020005	1.5 – 2.5	3	300	No
02020020	1.5 – 3.0	4	600	Yes
02020003	3.0 – 4.0	2	750	Yes
02020004	4.0 – 5.0	2	750	Yes
02020006	6.0	1	750	Yes
02020023	7.0	1	750	Yes
02020015	8.0	1	750	Yes
02020011	10.0	1	900	No



02020005

Premium quality tool steel to ensure long and trouble free use.

- Hardened and tempered jaws.
- Fully adjustable.
- Refer following page for spare jaws.
- Designed specifically to suit crimping sleeves on page 336.
- Manufactured in New Zealand.

Hand Swaging Tools

Product Code	Suits Wire Rope	Crimping Positions	Length	Weight
	Ømm		mm	kg
02020001	1.5 – 2.5	3	350	0.95
02020002	1.5 – 5.0	4	600	2.70



02020001

02020002

An economy tool designed for low volume use.

- Complete with side cutters.
- Manufactured in China.



• Always strip covering from PVC coated wire rope prior to crimping.



• Do not use hand swaging tool & crimping sleeves for the fabrication of lifting slings or safety lifelines.

RIGGING TOOLS

WIRE ROPE SWAGING & CRIMPING TOOLS

Bench Tool – High Quality Local Manufacture

Product Code	Material	Handle Length
		mm
02020017	Cast Steel	750

Tool only – Jaws sold separately.

- Designed for repetitive work.
- Choose from jaw options below.
- Manufactured in New Zealand.



Swaging Jaws – High Quality Local Manufacture

Product Code	Suits Wire Rope	Crimping Positions	Also Suits Swage Tool
	Ømm		
02020018	1.5 – 3.0	4	02020020
02020016	3.0 – 4.0	2	02020003
02020014	4.0 – 5.0	2	02020004
02020010	6.0	1	02020006
02020013	7.0	1	02020023
02020022	8.0	1	02020015



Jaws suit Bench Tool above and Swage Tools on previous page.

- Hardened and tempered steel.
- Manufactured in New Zealand.



• Always strip covering from PVC coated wire rope prior to crimping.



• Do not use hand swaging tool & crimping sleeves for the fabrication of lifting slings or safety lifelines.

RIGGING TOOLS

WIRE ROPE SWAGING & CRIMPING SLEEVES

Copper Hand Swage Ferrule

Product Code	Suits Wire Rope	Finish
	Ømm	
03109015	1.5	Bright
03109020	2.0	Bright
03109025	2.5	Bright
03109030	3.0	Bright
03109040	4.0	Bright
03109050	5.0	Bright
03109060	6.0	Bright
03109070	7.0	Bright
03109080	8.0	Bright
03109100	10.0	Bright

Product Code	Suits Wire Rope	Finish
	Ømm	
03109015NP	1.5	Nickel Plated
03109020NP	2.0	Nickel Plated
03109025NP	2.5	Nickel Plated
03109030NP	3.0	Nickel Plated
03109040NP	4.0	Nickel Plated
03109050NP	5.0	Nickel Plated
03109060NP	6.0	Nickel Plated
03109070NP	7.0	Nickel Plated
03109080NP	8.0	Nickel Plated
03109100NP	10.0	Nickel Plated

- Designed for hand swage pliers and bench swaging tool.
- Available in either bright finished copper, or nickel plated copper to give a bright stainless steel matching appearance.



Bright Finish



Nickel Plated



- Cookes branches throughout New Zealand can machine press steel wire ropes for safety critical applications.
- Full certification facilities available!
- Alloy Swage Ferrules and Copper Stopper also available. For further information, refer to your nearest Cookes branch or email customerservices@bridoncookes.co.nz.

RIGGING TOOLS

MARLIN SPIKES

Wire Rope Marlin Spikes

Product Code	Nominal Length
	mm
07205200	200
07205230	230
07205250	250
07205300	300
07205450	450
07205600	600
07205800	800



A high quality range of tools available in various lengths to meet individual requirements for wire rope splicing.

- Manufactured from 4140 high tensile round bar.
- Fully machined with heat treated and ground tip.
- Manufactured in New Zealand.



- **Interesting Fact:** The fish and bird named marlin each derived their name based on their resemblance to a sailor's marlin spike, originally named a 'marlinespike'.
- **Custom Hand Splicing:** Cookes can hand splice wire ropes for you at our branches across New Zealand or undertake specialist hand splicing on site. For more information contact your nearest Cookes branch, Freephone 0508 274 366 or email customerservices@bridoncookes.co.nz.

RIGGING TOOLS

KLEIN WIRE PULLING GRIPS

Klein Chicago® and Haven® Grips are used to pull wire and cable, and to maintain temporary tension until the cable can be permanently terminated. These grips are not to be used as anchors.

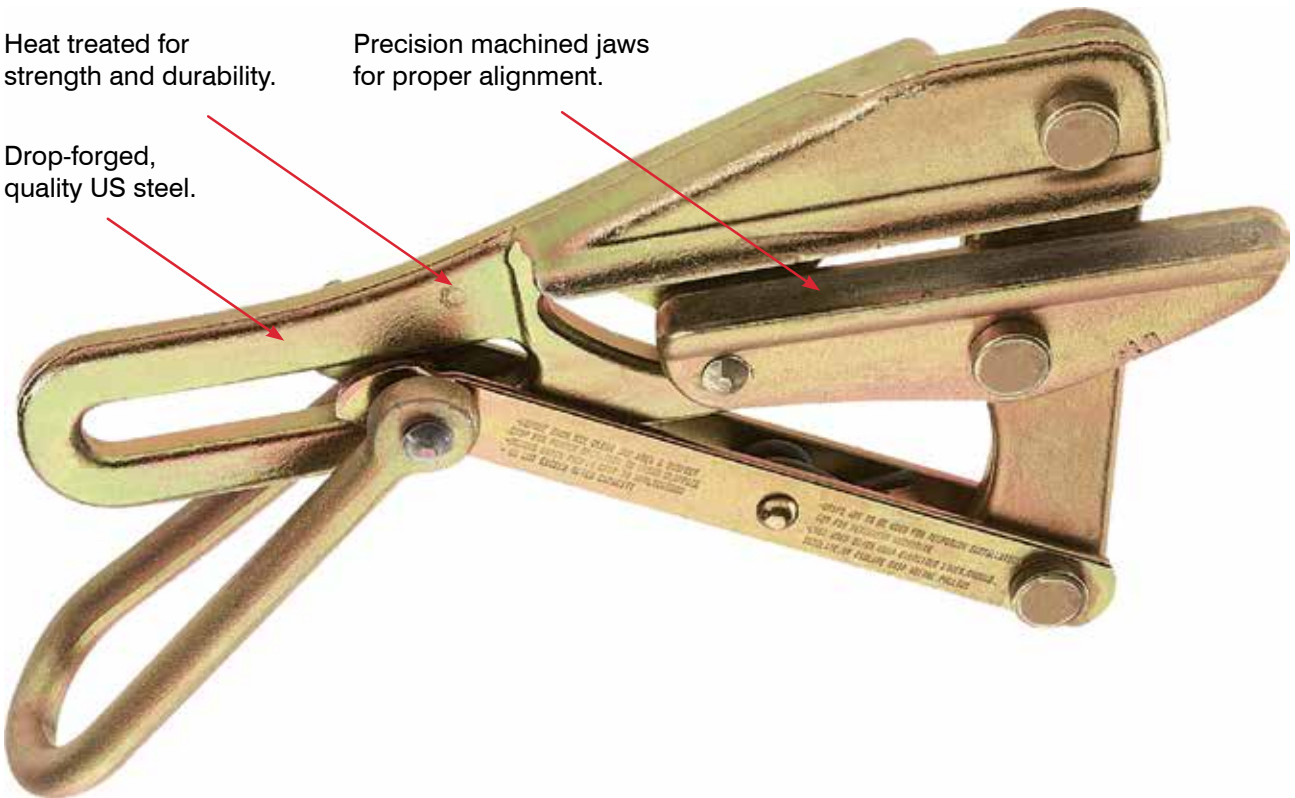
Klein Chicago® Grips have locking loop handles as standard on most models that allow the jaws to be held in an open position for easier placement on wire or cable. This saves substantial time, and makes grip positioning easier than with wedge or bolt-on designs. To lock, open the jaws and fold loop handle toward the side plates.



Heat treated for strength and durability.

Precision machined jaws for proper alignment.

Drop-forged, quality US steel.



09

WIRE ROPE FITTINGS & RIGGING TOOLS



Klein Chicago® Grips

Authentic Chicago® Grips designed for use on aluminium, copper, weatherproof coated wire, PVC covered conductors, catenary wire and guy strand.

- Locking loop handles. The locking feature allows the jaws to be held in an open position for easy placement on wire or cable.



Haven's® Grips

Haven's® Grips are designed for use when a light, compact grip is desired.

- Some models include a swing latch that holds cable securely in jaw.
- Recommended for catenary wire and guy strand.



Parallel Jaw Grips

Lightweight compact parallel jaw grips pull an exceptionally wide range of cable types and sizes.

- Large-diameter eye accommodates large hooks on hoists, winches and tackle blocks.

RIGGING TOOLS

KLEIN WIRE PULLING GRIPS

Reliability

Before leaving the manufacturing plant, each and every authentic Klein grip is individually hand inspected and actuated for proper function.

Grips are rigorously tested using the Magnflux method and pulled to rated load to ensure the highest quality and reliability for which Klein Tools is known.

How to Select the Correct Grip

Three basic factors determine the selection of the proper grip for each specific application:

- Type of wire or cable.
- Outside diameter of wire or cable.
- Maximum Working Load Limit (WLL).

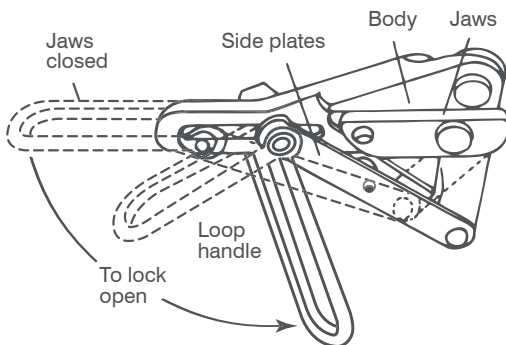


Care & Maintenance

The following guidelines have been established in order to maintain all grips in good condition.

Clean the Grip Jaws: Use emery cloth or a clean wire brush to periodically clean the surface of grip jaws. Note: Aluminium-strand conductors may have a die-grease coating, which can deposit on grip jaws. New aluminium conductors should be wiped clean before grip application. Grip jaw should be wiped clean of all grease before use. Be sure to clean grip jaws before and after each use in wire or cable, which has been galvanised or otherwise coated.

Check all parts: Look carefully for distortion or misalignment.



Pre-Use Check

Before each use, check all grips for jaw condition, proper alignment of jaws and all parts, and possible distortion caused by exceeding Working Load Limit specifications. Grips should operate smoothly. Spring-loaded grips should lock open with loop handle 'Down' position and should close automatically with loop handle 'Up' (illustration to the left).

The Klein parallel jaw grip may be tested by opening and closing the jaws by hand, while exercising proper caution. All parts and rivets, which may be distorted due to exceeding Working Load Limit, should be checked.



- Klein grips are designed for temporary installation and are not designed for permanent anchorage.
- Never attempt to repair Klein grips. Grips that are bent, misaligned or otherwise distorted must be discarded and replaced.

RIGGING TOOLS

KLEIN CHICAGO® GRIPS

Klein Chicago® Grips



Product Code	Klein Item No.	Max. WLL	Min. to Max. Cable	Jaw Length	Weight
		kg	Ømm	mm	kg

For Copper (Stranded or Aluminium ACSR)

02002021	1656-20	2,041	5.08 – 10.16	102	1.36
02002026	1656-30	2,041	7.87 – 13.46	121	1.70
02002028	1656-40	3,629	13.46 – 18.80	140	3.76
02002034	1656-50	3,629	18.80 – 21.84	140	3.76

For Extra High-Strength Cables or Guy Strand

02002019	1613-40	2,041	3.05 – 9.40	106	1.36
02002020	1684-5	3,629	5.54 – 13.97	127	2.84
02002025	1628-16	6,803	7.87 – 15.75	184	7.00
02002035	1628-17	6,803	12.70 – 19.05	184	7.40

For PVC Covered Conductor

02002036	1659-20	2,041	5.08 – 10.67	106	1.36
----------	---------	-------	--------------	-----	------

For Small Bare Wires

02002018	1613-30	680	2.03 – 5.08	76	0.68
----------	---------	-----	-------------	----	------

Klein Chicago® Grips are designed for use on aluminium, copper, weatherproof coated wire, PVC covered conductors and messenger and guy strand.

- Jaws are shaped to provide maximum contact with the cable.
- Designed to virtually eliminate cable deformation.
- Manufactured in the USA.



02002018



02002026



- Never exceed manufacturer's Working Load Limit (WLL).
- Klein grips are designed for temporary installation and are not designed for permanent anchorage.
- Never attempt to repair Klein grips. Grips that are bent, misaligned or otherwise distorted must be discarded and replaced.

RIGGING TOOLS

KLEIN HAVEN® GRIPS

Klein Haven® Grips



Product Code	Klein Item No.	Max. WLL	Min. to Max. Cable	Jaw Length	Weight
		kg	Ømm	mm	kg

For Steel Strand

02002024	1604-20	2,268	3.18 – 12.70	n.a.	1.14
02002023	1625-20	3,629	7.11 – 19.05	n.a.	1.81



02002023



02002024

Authentic Klein Haven® Grips are individually inspected and tested. Designed for use when a light, compact grip is desired and where cable deformation is not a factor.

- Item 02002023 (1625-20) has a swing latch to help hold cable in the jaw.
- Manufactured in the USA.

Klein Parallel Jaw Grips

Product Code	Klein Item No.	Max. WLL	Min. to Max. Cable	Jaw Length	Weight
		kg	Ømm	mm	kg

For PVC Covered or Bare Wire

02002022	1685-20	2,041	4 – 22	64	1.30
02002016*	1685-31	3,400	16 – 32	114	2.27

* Available on indent.



02002022



02002016

Authentic Klein Parallel Jaw Grips are individually inspected and tested. This lightweight compact grip suits a wide range of cable types and sizes. Serrated lower jaw firmly grips insulated cables and conductors.

- Includes a latch that prevents the grip from falling in case of disengagement from cable.
- Large eye accommodates large hooks on hoists, winches and tackle blocks.
- Manufactured in the USA.



- Never exceed manufacturer's Working Load Limit (WLL).
- Klein grips are designed for temporary installation and are not designed for permanent anchorage.
- Never attempt to repair Klein grips. Grips that are bent, misaligned or otherwise distorted must be discarded and replaced.

RIGGING TOOLS

KLEIN HOWE WIRE TOOL

Klein Howe Wire Tool



Product Code	Klein Item No.	Max. Safe Load	Strap Diameter	Strap Length	Weight
		kg	Ømm	mm	kg
02002039	1702-20N	225	25	2,100	0.90

- Strap manufactured from tough Klein-Kord®.
- Swivel hook is forged steel with large opening.
- Shank of hood is lengthened to reach under insulator.
- Other end has cam-lock to hold the load at any distance.
- All metal parts galvanised.
- Manufactured in the USA.



09

WIRE ROPE FITTINGS
& RIGGING TOOLS



• Never exceed manufacturer's safe load rating.

RIGGING TOOLS

TACOMAN WIRE ROPE CLAMP

Tacoman Clamps

Product Code	Tacoman Item No.	Suit Wire Rope	Rated Capacity	Weight
		Ømm	t	kg
02166010	TC – 10	6 – 10	1.0	0.9
02166014	TC – 14	12 – 14	2.0	2.1

Tacoman Rope Clamps are designed for applications where wire ropes are used in conjunction with lever hoists or chain blocks. They can be fixed easily at any desired location along a wire rope. Generous eye diameter for hoist hook connection.

- Wire is gripped firmly by inserting the rope into the frame and pulling.
- Suitable for horizontal pulling of load or machines, or for applications such as stump pulling.
- Excellent for use with a lever hoist.



Quick and easy to assemble/
disassemble.

09

WIRE ROPE FITTINGS
& RIGGING TOOLS

NOTE: Discontinued line from manufacturer. Available only while stocks last.



- Never exceed the Rated Capacity.
- Do not use Tacoman rope clamps as a fixture for slinging applications.

RIGGING ACCESSORIES

MAXIRIG SLING EQUALISERS

Sling Equalisers – 5T to 120T WLL

Maxirig

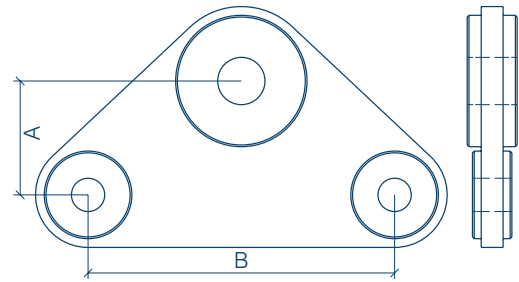
Product Code	Maxirig Item No.	Working Load Limit	Dimensions (mm)		Net Weight
		kg	A	B	kg
10972270*	EQP1005	5,000	100	300	10
10972272*	EQP1010	10,000	105	300	15
10972273*	EQP1020	20,000	130	350	25
10972275*	EQP1030	30,000	150	450	40
10972278*	EQP1050	50,000	200	500	90
10972280*	EQP1085	85,000	200	500	130
10972283*	EQP1100	120,000	310	600	190

* Available on indent.

Designed for multi-leg slings, the Maxirig Sling Equaliser equalises forces within the legs.

Connection is made via a standard alloy bow shackle. The device can be used with chain, wire rope or synthetic slings.

- Complies with AS4991.
- Ideal in compensating for differences in load lift points and sling lengths.
- Supplied with Proof Load Certificate and MPI Welding Report.
- Manufactured in Australia.



Shackles to Suit Maxirig Sling Equalisers

Equaliser Product Code	Maxirig Item No.	Safety Shackle Pin Ø (mm)		Shackle Product Code	
		Lifting Lug	Load Lugs	Lifting Lug	Load Lugs
10972270	EQP1005	25	19	02329026	02329019
10972272	EQP1010	35	25	02329035	02329026
10972273	EQP1020	50	35	02329051	02329035
10972275	EQP1030	57	42	02329057	02329042
10972278	EQP1050	70	57	02329070	02329057
10972280	EQP1085	83	70	02329080	02329070
10972283	EQP1100	95	83	02329095	02329080



• For a comprehensive data sheet on your required model, please contact your nearest Cookes branch Freephone 0508 274 366 or email customerservices@bridoncookes.co.nz.



• Never exceed manufacturer's Working Load Limit (WLL).

